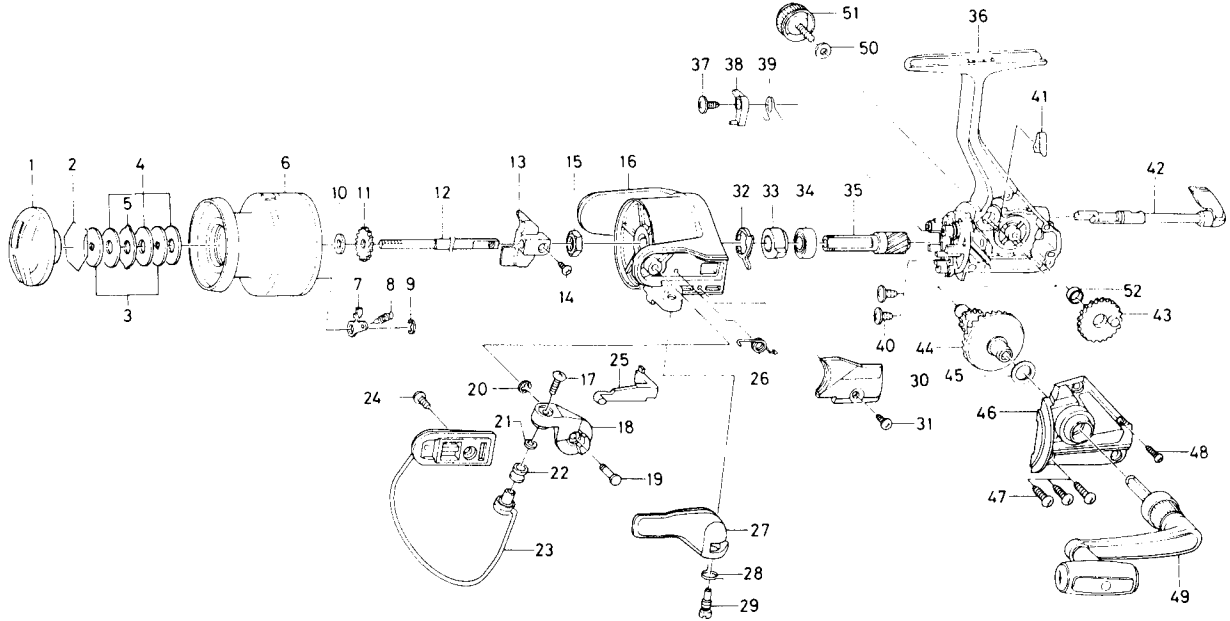


SPINNING REEL — AG1605XB



Key No. 2-9
E49-2901 Spool assembly 7.50

Key No.	Part No.	Part Name	Price
1	E48-5802	Drag knob	3.95
2	171-7701	Drag washer retainer	.35
3	F09-4901	Key washer	.90
4	E13-6003	Drag washer	1.60
5	373-3603	Eared washer	.60
6	E49-3001	Spool assembly	N/A
7	B07-5304	Click pawl	.70
8	E40-3101	Click spring	.70
9	320-5901	Click retainer	.50
10	F09-4701	Spool washer	.70
11	E46-2701	Click gear	.70
12	E48-5301	Main shaft	1.95
13	F09-1301	Oscillating slider	.70
14	352-1502	Oscillating slider screw	.60
15	340-6602	Rotor nut	.65
16	F11-0901	Rotor	3.45
17	B67-9304	Line roller screw	.40
18	E49-4101	Bail arm	1.15
19	E49-3501	Bail arm screw	.95
20	320-5901	Bail arm screw retainer	.50
21	B55-4301	Line roller washer	.40
22	L01-8201	Line roller	.90
23	E49-2601	Bail assembly	4.45
24	L01-1702	Bail trip cam screw	.35
25	E46-2101	Bail trip lever	.95
26	F12-8901	Bail spring	.60

Key No.	Part No.	Part Name	Price
27	F11-0601	Trigger lever	1.65
28	E36-9901	Trigger spring	.70
29	E37-0002	Trigger screw	1.50
30	E49-2501	Bail spring cover	.65
31	E36-4202	Bail spring cover screw	.60
32	E46-2001	Anti-reverse pawl spring A	.75
33	F11-1301	Anti-reverse ratchet	.70
34	L03-6502	Ball bearing	7.85
35	E46-1101	Pinion gear	1.90
36	F11-0801	Body assembly	6.40
37	E00-7101	Anti-reverse pawl screw	.45
38	E46-1301	Anti-reverse pawl	.80
39	E46-1201	Anti-reverse pawl spring B	.60
40	E03-7801	Bearing retainer screw	.60
41	E32-7801	Anti-reverse cam spring	.70
42	F08-5105	Anti-reverse lever	2.25
43	E46-1501	Oscillating gear	.75
44	E46-1701	Drive gear	3.00
45	373-7808	Drive gear washer	.40
46	F10-7105	Side cover	2.80
47	B83-5002	Side cover screw A	.60
48	E15-8602	Side cover screw B	.60
49	L01-1102	Handle assembly	7.00
50	B92-4902	Handle lock washer	.35
51	B92-5001	Handle lock screw	.80
52	F13-1601	Oscillating gear collar	.50