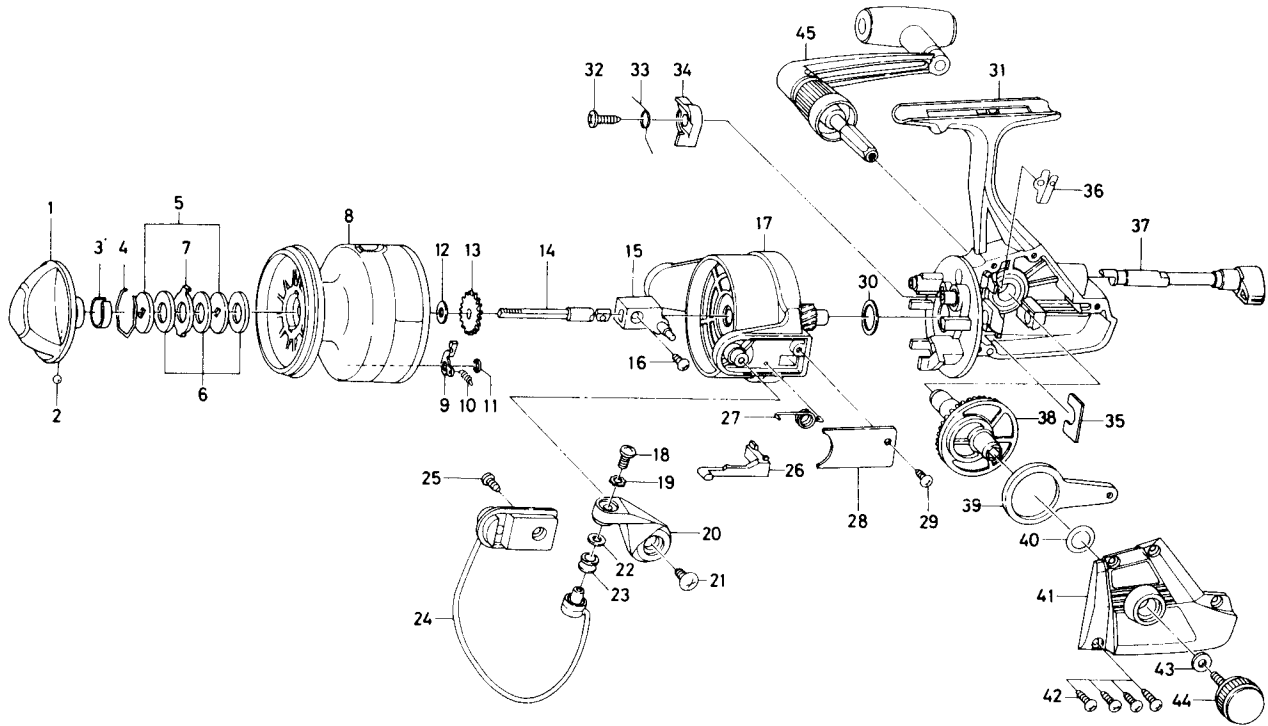


SPINNING REEL — AG7000X



Key No. 4-11

L12-5401 Spool assembly 10.00

Key

Key No.	Part No.	Part Name	Price
1	L10-8601	Drag knob	6.05
2	635-4701	Click ball	.60
3	B32-8701	Click leaf spring	.95
4	171-7701	Drag washer retainer	.35
5	L03-1301	Key washer	.55
6	375-7802	Drag washer	.95
7	B89-9501	Eared washer	.60
8	L12-5501	Spool assembly	N/A
9	B07-8201	Click pawl	.85
10	145-2101	Click spring	.40
11	320-1402	Click retainer	.55
12	L11-9101	Spool washer	.35
13	L03-4101	Click gear	.95
14	L12-0601	Main shaft	2.60
15	L00-7501	Oscillating block	1.10
16	351-8901	Oscillating block screw	.55
17	L08-8801	Rotor assembly	8.80
18	353-9701	Line roller screw	.60
19	160-8101	Lock washer	.45
20	L06-7201	Bail arm	1.10
21	E00-7601	Bail arm screw	.45
22	373-4501	Line roller washer	.35
23	250-4221	Line roller	1.05

Key

Key No.	Part No.	Part Name	Price
24	L12-5001	Bail assembly	6.50
25	L01-1702	Bail trip cam screw	.35
26	L08-9301	Bail trip lever	1.00
27	L06-7001	Bail spring	.60
28	L08-9402	Bail spring cover	.95
29	B83-4402	Bail spring cover screw	.50
30	L07-3700	Rotor washer	.55
31	L12-0501	Body assembly	10.70
32	L06-6501	Anti-reverse pawl screw	.50
33	L06-6401	Anti-reverse pawl spring	.60
34	L07-8601	Anti-reverse pawl	1.00
35	L07-0401	Pinion retainer	.55
36	E01-1801	Anti-reverse cam spring	.55
37	L06-6002	Anti-reverse lever	1.90
38	L00-7801	Drive gear	3.00
39	L00-7901	Oscillating slider	1.20
40	371-2821	Drive gear washer	.45
41	L08-9903	Side cover	3.30
42	B83-5002	Side cover screw	.60
43	L02-2301	Handle lock washer	.45
44	L00-9102	Handle lock screw	1.25
45	L01-2901	Handle assembly	9.60