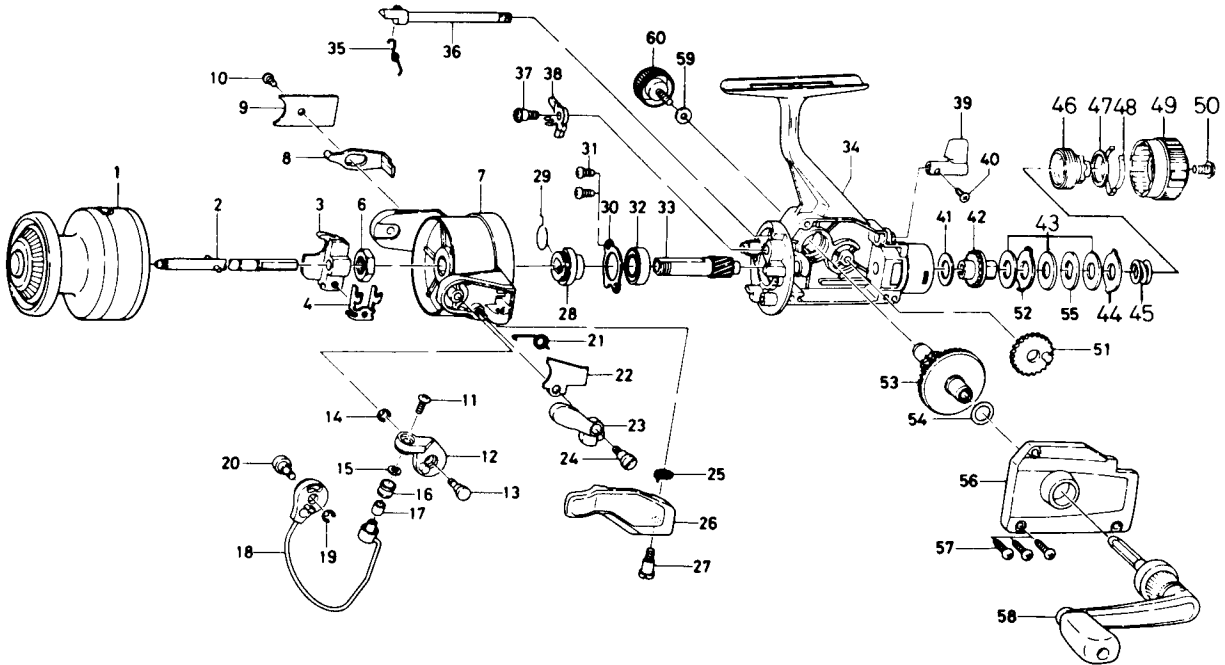


SPINNING REEL — BW1355



| Key No. | Part No. | Part Name | Price |
|---------|----------|------------------------------|-------|
| 1 | K10-6404 | Spool | 7.00 |
| 2 | K02-4901 | Main shaft | 1.10 |
| 3 | B97-9601 | Oscillating slider | .70 |
| 4 | K02-5101 | Oscillating slider retainer | .85 |
| 6 | B67-9401 | Rotor nut | .50 |
| 7 | B81-8504 | Rotor | 4.85 |
| 8 | B83-4301 | Bail trip lever | 1.05 |
| 9 | B74-7301 | Bail trip cover | .60 |
| 10 | B83-4402 | Bail trip cover screw | .50 |
| 11 | B67-9302 | Line roller screw | .40 |
| 12 | B67-4601 | Bail arm | 1.35 |
| 13 | B83-3801 | Bail arm screw | .70 |
| 14 | 320-5901 | Bail arm screw retainer | .50 |
| 15 | B55-4301 | Line roller washer | .40 |
| 16 | 250-3921 | Line roller | .90 |
| 17 | B45-1501 | Line roller bushing | .60 |
| 18 | K10-6702 | Bail | 3.90 |
| 19 | 320-5901 | Bail trip cam screw retainer | .50 |
| 20 | B83-4202 | Bail trip cam screw | 1.25 |
| 21 | K04-9701 | Bail spring | .60 |
| 22 | B83-3902 | Bail spring cover | .55 |
| 23 | B67-4901 | Trigger plate | 1.35 |
| 24 | K03-7302 | Bail spring cover screw | .90 |
| 25 | B67-5201 | Trigger spring | .60 |
| 26 | B67-5107 | Trigger lever | 2.50 |
| 27 | K03-7302 | Trigger screw | .90 |
| 28 | K02-2901 | Anti-reverse ratchet | .90 |
| 29 | K02-5401 | Anti-reverse pawl spring | .55 |
| 30 | B45-6401 | Bearing retainer | .50 |
| 31 | B83-4402 | Bearing retainer screw | .50 |

| Key No. | Part No. | Part Name | Price |
|---------|----------|--------------------------|-------|
| 32 | 634-1301 | Ball bearing | 6.95 |
| 33 | E08-9502 | Pinion gear | 2.50 |
| 34 | K09-7801 | Body | 7.00 |
| 35 | B44-8501 | Anti-reverse cam spring | .55 |
| 36 | B44-8401 | Anti-reverse cam | .70 |
| 37 | K03-2801 | Anti-reverse pawl screw | .55 |
| 38 | K02-2701 | Anti-reverse pawl | .70 |
| 39 | E08-3701 | Anti-reverse lever | 1.20 |
| 40 | B12-8201 | Anti-reverse lever screw | .50 |
| 41 | B48-9902 | Drag washer A | .45 |
| 42 | B83-3602 | Click gear | .70 |
| 43 | B49-0202 | Drag washer B | .60 |
| 44 | B49-0102 | Eared washer A | .40 |
| 45 | B92-6703 | Drag coil spring | .55 |
| 46 | B74-7603 | Drag screw | .85 |
| 47 | B90-8201 | Drag washer C | .40 |
| 48 | B74-7702 | Drag washer spring | .45 |
| 49 | K04-8601 | Drag knob | 1.55 |
| 50 | 352-1105 | Drag knob spring screw | .55 |
| 51 | B74-2501 | Oscillating gear | .70 |
| 52 | B63-8301 | Eared washer B | .45 |
| 53 | E08-9701 | Drive gear | 2.30 |
| 54 | 373-7808 | Drive gear washer | .40 |
| 55 | B49-0301 | Key washer | .45 |
| 56 | K09-8001 | Side cover | 3.25 |
| 57 | B83-5002 | Side cover screw | .60 |
| 58 | E00-1603 | Handle | 6.60 |
| 59 | B92-4902 | Handle lock washer | .35 |
| 60 | B92-5001 | Handle lock screw | .80 |