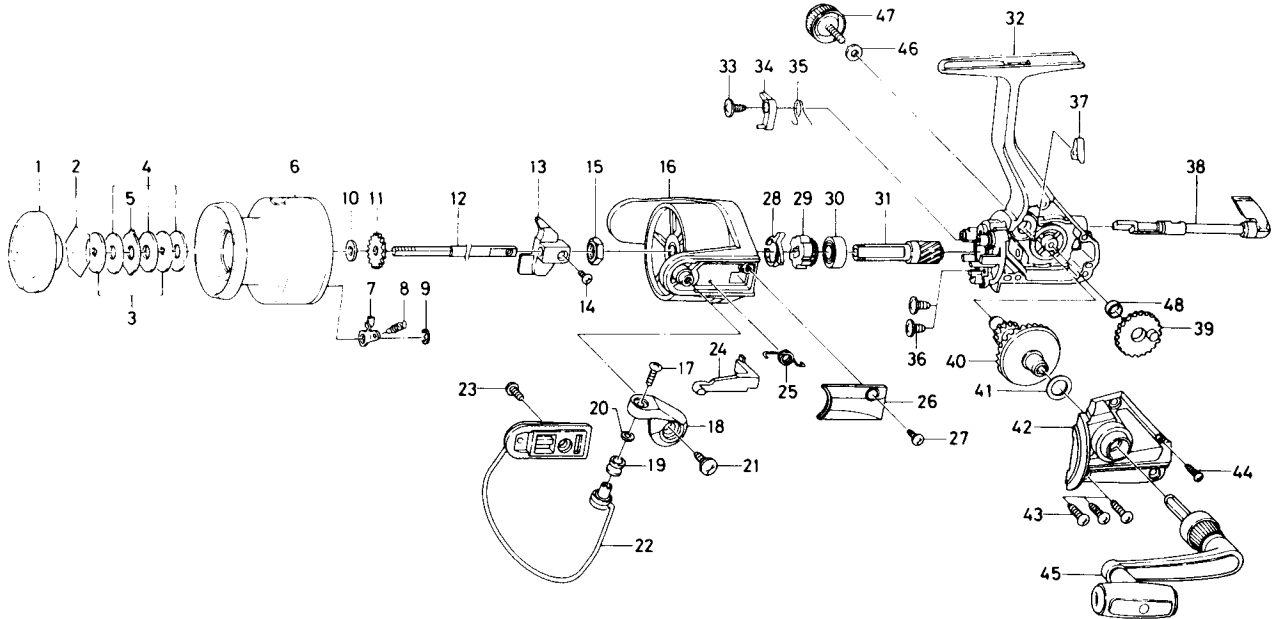


SPINNING REEL — BW1600X / 2000X



Key No. 2-6
E51-6101 Spool assembly 16.00

Key No.	Part No.	Part Name	Price
1	E48-5803	Drag knob	3.95
2	171-7701	Drag washer retainer	.35
3	F09-4901	Key washer	.90
4	E13-6003	Drag washer	1.60
5	373-3603	Eared washer	.60
6	E51-6201	Spool assembly	N/A
7	B07-5304	Click pawl	.70
8	E40-3101	Click spring	.70
9	320-5901	Click retainer	.50
10	F09-4701	Spool washer	.70
11	E46-2701	Click gear	.70
12	E48-5301	Main shaft	1.95
13	F09-1301	Oscillating slider	.70
14	352-1502	Oscillating slider screw	.60
15	340-6602	Rotor nut	.65
16	F10-6601	Rotor	3.60
17	B67-9304	Line roller screw	.40
18	E45-1701	Bail arm	1.20
19	L01-8201	Line roller	.90
20	B55-4301	Line roller washer	.40
21	E00-7101	Bail arm screw	.45
22	F10-6701	Bail assembly	4.20
23	L01-1702	Bail trip cam screw	.35
24	E46-2101	Bail trip lever	.95
25	F12-8901	Bail spring	.60
26	E46-2201	Bail spring cover	.65
27	E36-4202	Bail spring cover screw	.60
28	E46-2001	Anti-reverse pawl spring A	.75
29	E46-1901	Anti-reverse ratchet	.75

Key No.	Part No.	Part Name	Price
30	L03-6502	Ball bearing	7.85
31	E46-1101	Pinion gear	1.90
32	F10-6203	Body assembly	6.20
33	E00-7101	Anti-reverse pawl screw	.45
34	E46-1301	Anti-reverse pawl	.80
35	E46-1201	Anti-reverse pawl spring B	.60
36	E03-7801	Bearing retainer screw	.60
37	E32-7801	Anti-reverse cam spring	.70
38	F08-5105	Anti-reverse lever	2.25
39	E46-1501	Oscillating gear	.75
40	E46-1701	Drive gear	3.00
41	373-7808	Drive gear washer	.40
42	F10-6403	Side cover	2.90
43	B83-5002	Side cover screw A	.60
44	E15-8602	Side cover screw B	.60
45	L01-1102	Handle assembly	7.00
46	B92-4902	Handle lock washer	.35
47	B92-5001	Handle lock screw	.80
48	F13-1601	Oscillating gear collar	.50

BW2000X Special Parts:

2-9	E51-6301	Spool assembly	14.00
6	E51-6401	Spool assembly	N/A
16	F10-7201	Rotor	3.90
22	F10-6801	Bail assembly	4.50
24	E46-3101	Bail trip lever	1.00
32	F10-6205	Body assembly	6.20
42	F10-6405	Side cover	2.90