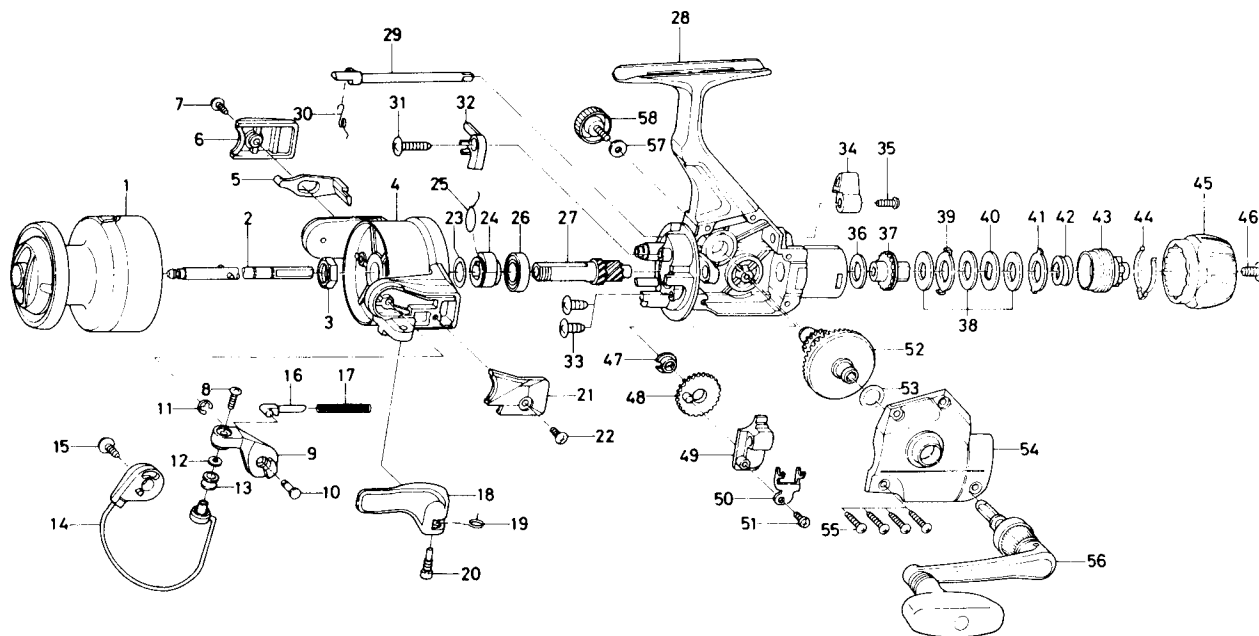


SPINNING REEL — EL1655H / 2055H



| Key No. | Part No. | Part Name | Price |
|---------|----------|--------------------------|-------|
| 1 | K09-4601 | Spool assembly | 8.00 |
| 2 | K09-3801 | Main shaft | 2.10 |
| 3 | B10-5701 | Rotor nut | .65 |
| 4 | K09-2801 | Rotor | 4.75 |
| 5 | B83-6701 | Bail trip lever | 1.25 |
| 6 | K09-3301 | Bail trip cover | .60 |
| 7 | K07-1501 | Bail trip cover screw | .50 |
| 8 | B67-9303 | Line roller screw | .45 |
| 9 | F03-6901 | Bail arm | 1.20 |
| 10 | F03-7101 | Bail arm screw | 1.00 |
| 11 | 320-5901 | Bail arm screw retainer | .50 |
| 12 | B55-4301 | Line roller washer | .40 |
| 13 | L01-8201 | Line roller | .90 |
| 14 | K09-3101 | Bail | 3.50 |
| 15 | B84-2101 | Bail trip cam screw | .50 |
| 16 | E21-3501 | Bail spring shaft | .40 |
| 17 | K11-0301 | Bail spring | .55 |
| 18 | F03-7001 | Trigger lever | 2.50 |
| 19 | E36-9901 | Trigger spring | .70 |
| 20 | E37-0001 | Trigger screw | 1.50 |
| 21 | K09-3001 | Bail spring cover | .60 |
| 22 | K07-1501 | Bail spring cover screw | .50 |
| 23 | K09-7001 | Rotor washer | .50 |
| 24 | K09-1801 | Anti-reverse ratchet | .70 |
| 25 | K09-7101 | Anti-reverse pawl spring | .60 |
| 26 | B54-6001 | Ball bearing | 7.70 |
| 27 | K09-1501 | Pinion gear | 4.15 |
| 28 | K09-5701 | Body | 6.60 |
| 29 | K09-1301 | Anti-reverse cam | .65 |
| 30 | 144-0321 | Anti-reverse cam spring | .50 |
| 31 | K09-2001 | Anti-reverse pawl screw | .55 |
| 32 | K09-1901 | Anti-reverse pawl | .95 |
| 33 | K50-0601 | Bearing retainer screw | .50 |

| Key No. | Part No. | Part Name | Price |
|---------|----------|-----------------------------|-------|
| 34 | K09-1401 | Anti-reverse lever | .95 |
| 35 | 353-4402 | Anti-reverse lever screw | .60 |
| 36 | B46-9505 | Drag washer A | .45 |
| 37 | B76-9803 | Click gear | .70 |
| 38 | E14-3301 | Drag washer B | .65 |
| 39 | K05-0301 | Eared washer A | .55 |
| 40 | E02-4401 | Key washer | .60 |
| 41 | B83-9501 | Eared washer B | .55 |
| 42 | B98-2901 | Drag coil spring | .70 |
| 43 | B77-0004 | Drag screw | .95 |
| 44 | B77-0301 | Drag washer spring | .45 |
| 45 | K09-2501 | Drag knob | 1.35 |
| 46 | 352-1107 | Drag knob screw | .55 |
| 47 | K09-3401 | Oscillating gear collar | 1.00 |
| 48 | B74-3701 | Oscillating gear | .70 |
| 49 | K09-3501 | Oscillating slider | .80 |
| 50 | K09-4001 | Oscillating slider retainer | .60 |
| 51 | 351-0903 | Oscillating block screw | .45 |
| 52 | K09-3601 | Drive gear | 2.60 |
| 53 | 373-7802 | Drive gear washer | .45 |
| 54 | K09-6401 | Side cover | 2.60 |
| 55 | K08-7801 | Side cover screw | .60 |
| 56 | K09-4301 | Handle assembly | 7.85 |
| 57 | K09-7301 | Handle lock washer | .45 |
| 58 | B92-5001 | Handle lock screw | .80 |

EL2055H Special Parts:

| | | | |
|----|----------|-----------------|------|
| 1 | K09-4701 | Spool assembly | 8.50 |
| 4 | K09-2901 | Rotor | 4.95 |
| 5 | B83-7301 | Bail trip lever | 1.30 |
| 14 | K09-5501 | Bail | 3.75 |
| 28 | K09-6001 | Body | 6.60 |
| 54 | K09-6701 | Side cover | 2.60 |