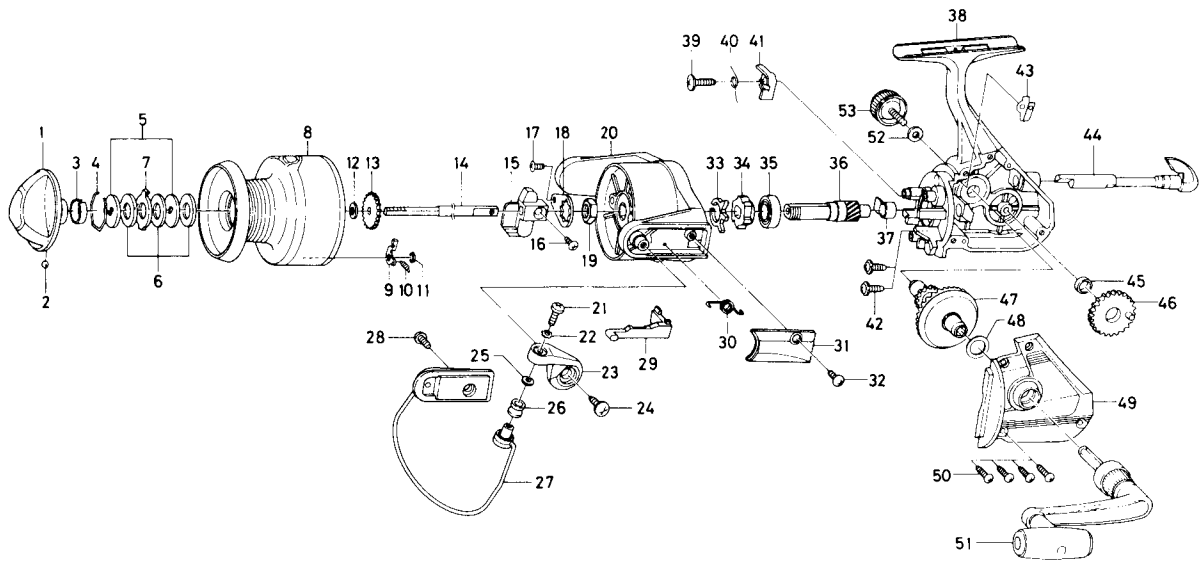


SPINNING REEL — EL2600/4000



Key No. 4-11

Key No.	Part No.	Part Name	Price
	L12-3202	Spool assembly	11.50
1	L10-8602	Drag knob	6.90
2	635-4701	Click bail	.60
3	B32-8701	Click leaf spring	.95
4	171-7701	Drag washer retainer	.35
5	L03-1301	Key washer	.55
6	375-7802	Drag washer	.95
7	B89-9501	Eared washer	.60
8	L12-3302	Spool assembly	N/A
9	B07-8201	Click pawl	.85
10	145-2101	Click spring	.40
11	320-1402	Click retainer	.55
12	L10-4901	Spool washer	.35
13	L02-1401	Click gear	.95
14	L10-7301	Main shaft	3.60
15	L10-6601	Oscillating slider	2.50
16	351-8901	Oscillating slider screw	.55
17	L01-1702	Rotor nut holding plate screw	.35
18	B02-1601	Rotor nut holding plate	.80
19	340-8301	Rotor nut	.60
20	L10-6302	Rotor	7.60
21	353-9702	Line roller screw	.60
22	160-8101	Lock washer	.45
23	L10-5001	Bail arm	1.15
24	E00-7601	Bail arm screw	.45
25	373-4501	Line roller washer	.35
26	250-4221	Line roller	1.05
27	L11-9802	Bail assembly	7.85
28	L01-1701	Bail trip cam screw	.35
29	L10-6901	Bail trip lever	1.15
30	L06-7001	Bail spring	.60
31	L10-5101	Bail spring cover	.65

Key No.	Part No.	Part Name	Price
32	E36-4201	Bail spring cover screw	.60
33	L06-6801	Anti-reverse pawl spring A	.70
34	L09-1401	Anti-reverse ratchet	1.90
35	L03-6401	Ball bearing	9.50
36	L10-7701	Pinion gear	8.75
37	B88-0001	Pinion collar	.90
38	L12-3101	Body assembly	14.85
39	L06-6501	Anti-reverse pawl screw	.50
40	L06-6401	Anti-reverse pawl spring B	.60
41	L06-6301	Anti-reverse pawl	.95
42	L01-1601	Bearing retainer screw	.40
43	E01-1801	Anti-reverse cam spring	.55
44	L10-0703	Anti-reverse lever	3.60
45	B47-4101	Oscillating gear collar	.70
46	L11-7001	Oscillating gear	3.20
47	B78-9501	Drive gear	5.15
48	371-2824	Drive gear washer	.45
49	L10-6005	Side cover	7.60
50	B83-5001	Side cover screw	.60
51	L02-4202	Handle assembly	8.60
52	L02-2301	Handle lock washer	.45
53	L00-9102	Handle lock screw	1.25

EL4000 Special Parts:

4-11	L12-3401	Spool assembly	12.00
8	L12-3501	Spool assembly	N/A
20	L10-7002	Rotor	8.25
27	L12-0002	Bail assembly	8.15
29	L10-7101	Bail trip lever	1.20
38	L12-3102	Body assembly	14.85
49	L10-6006	Side cover	7.60