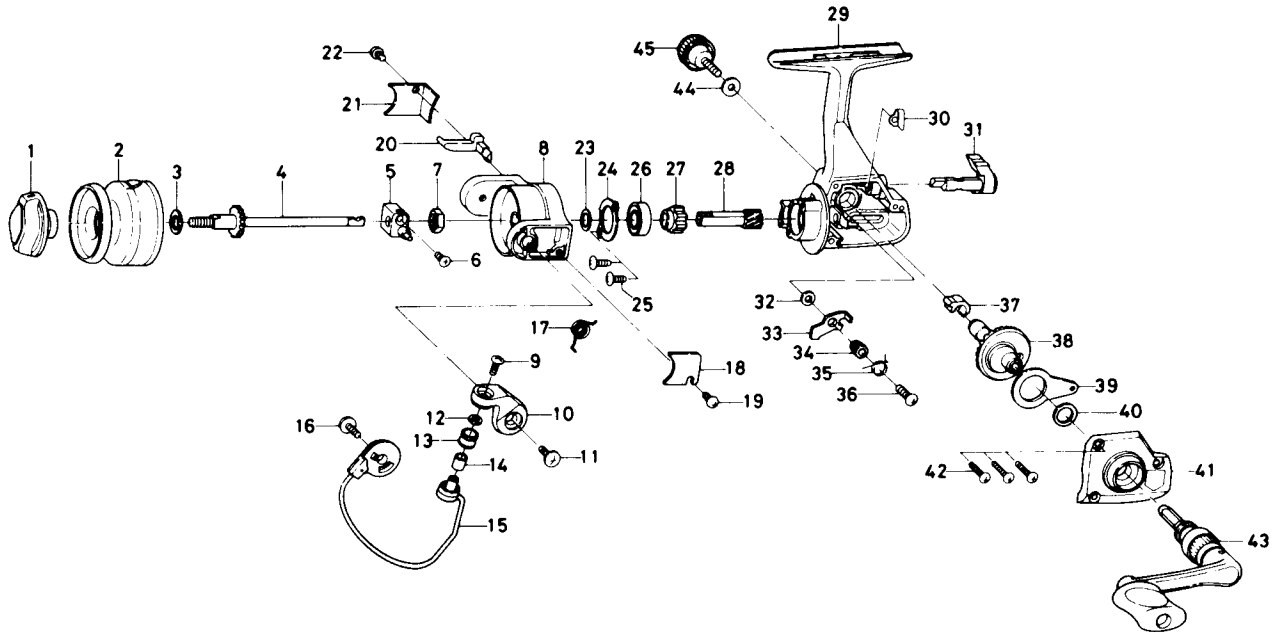


SPINNING REEL — EL500H



Key No.	Part No.	Part Name	Price
1	K15-4001	Drag knob	2.00
2	K15-5601	Spool assembly	5.00
3	K15-2901	Spool washer	.50
4	K15-2301	Main shaft assembly	1.20
5	K15-4801	Oscillating support	.90
6	E15-0201	Oscillating support screw	.55
7	342-4001	Rotor nut	.50
8	K15-1503	Rotor	3.00
9	352-2503	Line roller screw	.45
10	K15-1601	Bail arm	1.25
11	351-6104	Bail arm screw	.50
12	B55-4301	Line roller washer	.40
13	250-3921	Line roller	.90
14	B45-1501	Line roller collar	.70
15	K15-1901	Bail	2.65
16	351-6104	Bail trip cam screw	.60
17	E32-0201	Bail spring	.60
18	K15-4301	Bail spring cover	.70
19	350-8914	Bail spring cover screw	.45
20	K15-1701	Bail trip lever	.90
21	K15-1801	Bail trip cover	.85
22	350-8914	Bail trip cover screw	.50
23	B12-8701	Bearing washer	.30

Key No.	Part No.	Part Name	Price
24	K15-1401	Bearing retainer	.50
25	B93-3001	Bearing retainer screw	.45
26	E18-2801	Ball bearing	7.50
27	K15-1201	Anti-reverse ratchet	1.30
28	K15-0301	Pinion gear	2.35
29	K15-5401	Body	6.50
30	K15-0901	Anti-reverse cam spring	.40
31	K15-0801	Anti-reverse lever	.95
32	E15-3101	Anti-reverse pawl washer	.30
33	K15-1001	Anti-reverse pawl	.45
34	E03-3001	Anti-reverse pawl collar	.55
35	K15-1101	Anti-reverse pawl spring	.55
36	B00-8601	Anti-reverse pawl screw	.35
37	K15-2201	Drive gear collar	.60
38	K15-0101	Drive gear	1.80
39	K15-2501	Oscillating slider	.90
40	375-8501	Drive gear washer	.45
41	K15-5501	Side cover	3.00
42	E13-0502	Side cover screw	.80
43	K15-4402	Handle assembly	5.75
44	B92-4901	Handle lock washer	.35
45	E03-5502	Handle lock screw	.90