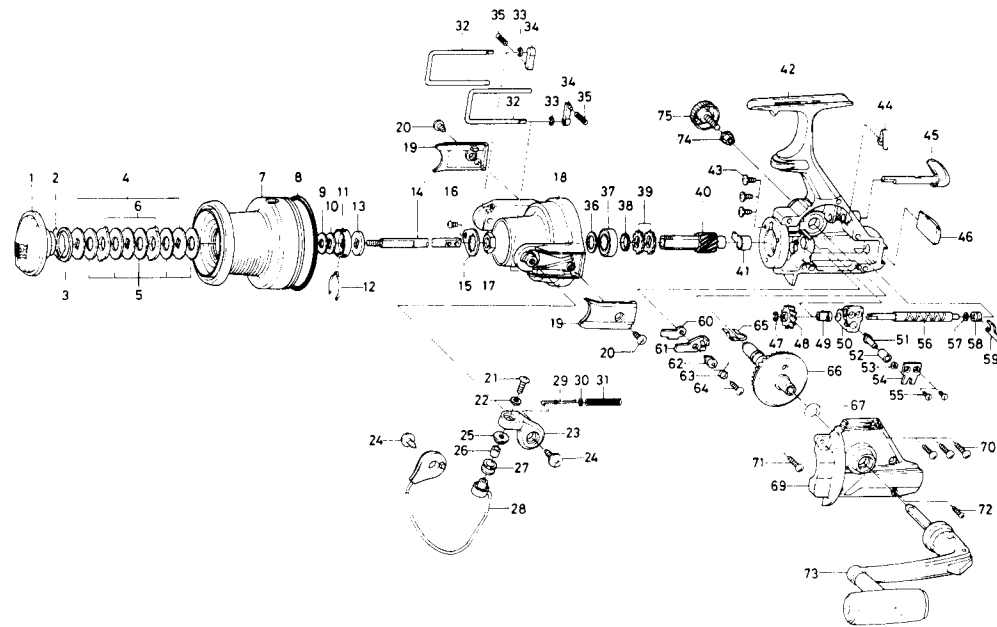


SPINNING REEL — PM7000H / 9000H



Key No. 2-8

Key No.	Part No.	Part Name	Price
	E43-4701	Spool assembly	17.00
1	E40-2602	Drag knob	5.75
2	170-4101	Drag washer retainer	.35
3	F03-9701	Drag washer retaining ring	.70
4	F03-5101	Key washer	.70
5	B36-0207	Drag washer	.85
6	372-3832	Eared washer	.95
7	E43-4601	Spool assembly	N/A
8	E40-2901	"O" ring	6.20
9	E39-9201	Spool washer A	.65
10	F04-3401	Spool washer B	.65
11	E12-2304	Click leaf spring holder	2.80
12	B74-7701	Spool click leaf spring	.45
13	E26-7501	Main shaft washer	.70
14	E43-1501	Main shaft	7.00
15	E33-3801	Rotor nut holding plate	1.10
16	E15-7502	Rotor nut holding plate screw	.45
17	B43-7605	Rotor nut	1.65
18	E43-3504	Rotor	13.25
19	E43-2802	Bail spring cover	2.25
20	E10-7402	Bail spring cover screw	.60
21	353-8207	Line roller screw	.60
22	B11-2701	Lock washer	.50
23	E39-6001	Bail arm	1.70
24	E00-7601	Bail arm screw	.45
25	E26-6501	Line roller collar	1.15
26	B41-3001	Line roller bushing	.95
27	E33-8901	Line roller	12.95
28	E43-3801	Bail assembly	6.70
29	E32-6701	Bail spring shaft	2.65
30	E31-3901	Bail spring washer	.70
31	E39-5901	Bail spring	.70
32	E43-1302	Line guard shaft	3.80
33	B33-9801	Line guard retainer	.35
34	E39-6201	Line guard plate	.70
35	F06-3301	Line guard spring	.50
36	B27-0701	Bearing washer	.55
37	637-6101	Ball bearing	9.85
38	E43-6001	Spacing sleeve	.95
39	E26-2701	Anti-reverse ratchet	1.10
40	E43-1601	Pinion gear	9.50
41	E33-2101	Pinion holder	.80

Key No.	Part No.	Part Name	Price
42	E43-7101	Body assembly	21.35
43	E03-7801	Bearing retainer screw	.60
44	E32-7801	Anti-reverse cam spring	.70
45	F03-5402	Anti-reverse lever	1.70
46	E39-5402	Rear cover	2.85
47	320-5901	Worm shaft gear retainer	.50
48	E43-1801	Worm shaft gear	6.75
49	E39-3501	Worm shaft bush	.90
50	E43-2901	Oscillating slider	3.10
51	E26-4101	Oscillating pawl	6.80
52	E26-4201	Oscillating pawl bush	2.70
53	375-0800	Oscillating pawl washer	.40
54	E26-4301	Oscillating slider cover	1.20
55	352-1502	Oscillating slider cover screw	.60
56	E33-5901	Worm shaft	12.75
57	B41-1700	Worm shaft washer	.45
58	E43-6101	Worm shaft collar	1.10
59	E43-6201	Worm shaft retainer	.70
60	E43-2301	Anti-reverse pawl plate	.70
61	E43-2001	Anti-reverse pawl	1.85
62	E26-2101	Anti-reverse pawl collar	1.10
63	E43-6301	Anti-reverse pawl spring A	.60
64	B83-5002	Anti-reverse pawl screw	.60
65	E26-4501	Anti-reverse pawl spring B	1.65
66	E43-3001	Drive gear	4.60
67	371-2822	Drive gear washer	.45
69	E43-6901	Side cover	8.15
70	B00-9702	Side cover screw A	.65
71	B00-9701	Side cover screw B	.45
72	E15-8601	Side cover screw C	.60
73	E43-4301	Handle assembly	17.30
74	501-8401	Handle collar	.75
75	L00-9102	Handle lock screw	1.25

PM9000H Special Parts:

2-8	E43-5301	Spool assembly	19.00
7	E43-5201	Spool assembly	N/A
8	E43-6401	"O" ring	6.35
18	E43-3604	Rotor	13.50
28	E43-4001	Bail assembly	7.10
42	E43-7102	Body assembly	21.35
69	E43-6903	Side cover	8.15