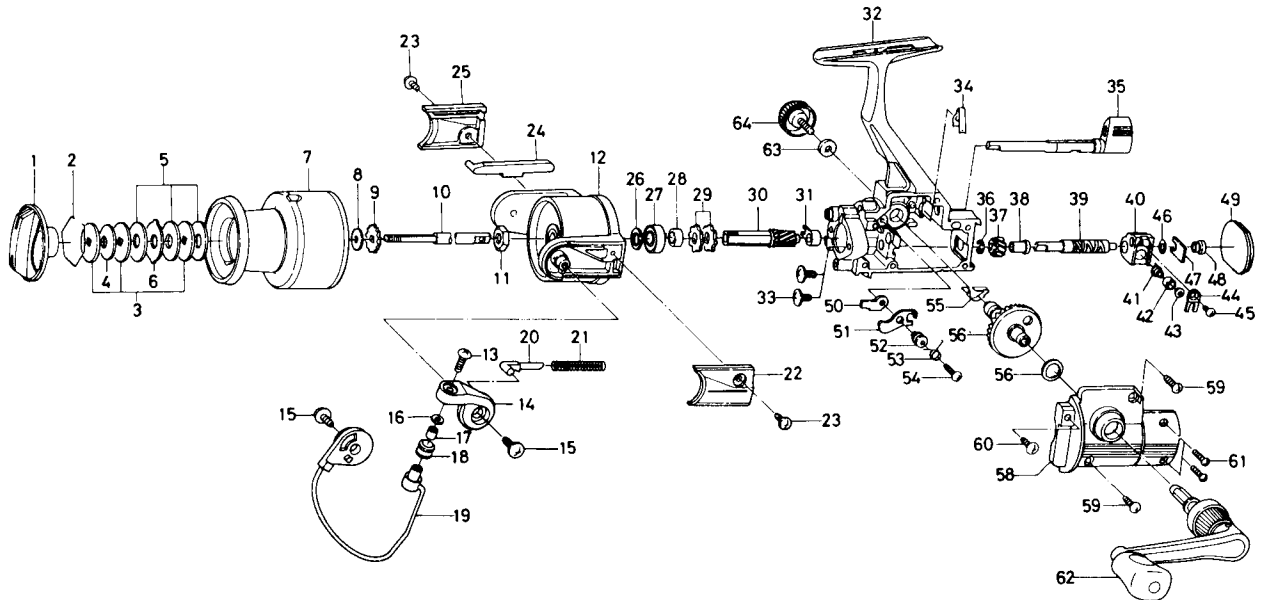


SPINNING REEL — PS1300



Key No. 2-7

E41-7201 Spool assembly 10.00

Key

Key No.	Part No.	Part Name	Price
1	F05-1001	Drag knob	1.50
2	171-7701	Drag washer retainer	.35
3	E13-6103	Key washer	.80
4	F05-0901	Drag spring washer	.95
5	E13-6003	Drag washer	.70
6	373-3601	Eared washer	.55
7	E41-7301	Spool assembly	N/A
8	E39-4001	Spool washer	.60
9	E36-5301	Click gear	.60
10	E36-3901	Main shaft	2.40
11	341-9201	Rotor nut	.55
12	E36-4303	Rotor	4.50
13	B67-9304	Line roller screw	.40
14	F00-8501	Bail arm	1.65
15	E00-7101	Bail arm screw	.45
16	B55-4301	Line roller washer	.40
17	B45-1501	Line roller collar	.60
18	250-3921	Line roller	.90
19	E36-7601	Bail	4.75
20	E36-4401	Bail spring shaft	.70
21	E39-0501	Bail spring	.60
22	E36-4603	Bail spring cover	1.20
23	E36-4201	Bail spring cover screw	.60
24	E36-5002	Bail trip lever	1.40
25	E36-5103	Bail trip cover	1.20
26	375-8503	Bearing washer	.60
27	L03-6601	Ball bearing	6.80
28	E36-3601	Spacing sleeve	1.10
29	E27-1501	Anti-reverse ratchet	.75
30	E41-7001	Pinion gear	5.15
31	E24-3301	Pinion collar	.70
32	E41-6901	Body	9.50

Key

Key No.	Part No.	Part Name	Price
33	E03-7801	Bearing retainer screw	.60
34	E26-8701	Anti-reverse cam spring	.55
35	E36-3211	Anti-reverse lever	1.70
36	B33-9801	Worm shaft gear retainer	.35
37	E41-7101	Worm shaft gear	1.60
38	E39-3501	Worm shaft bush	.60
39	E27-1601	Worm shaft	7.00
40	F02-4301	Oscillating slider	3.70
41	E19-1202	Oscillating pawl	4.55
42	E19-1301	Oscillating pawl bush	2.80
43	375-0800	Oscillating pawl washer	.40
44	E24-4901	Oscillating slider cover	.90
45	E15-0203	Oscillating slider cover screw	.70
46	375-4101	Worm shaft washer	.30
47	E36-3801	Worm shaft retainer	.70
48	E39-3601	Worm shaft collar	1.10
49	E36-7505	Rear cover	2.60
50	B95-9301	Anti-reverse pawl plate	.70
51	E27-1301	Anti-reverse pawl	1.15
52	B95-9501	Anti-reverse pawl collar	.95
53	B95-9602	Anti-reverse pawl spring A	.60
54	B00-8601	Anti-reverse pawl screw	.35
55	E24-5301	Anti-reverse pawl spring B	1.60
56	F00-7101	Drive gear	3.70
57	375-8501	Drive gear washer	.35
58	E36-7302	Side cover	3.90
59	E15-8601	Side cover screw A	.60
60	E15-8602	Side cover screw B	.60
61	E11-9601	Side cover screw C	.70
62	E41-7901	Handle assembly	7.75
63	F02-0201	Handle lock washer	.35
64	F03-5601	Handle lock screw	1.65