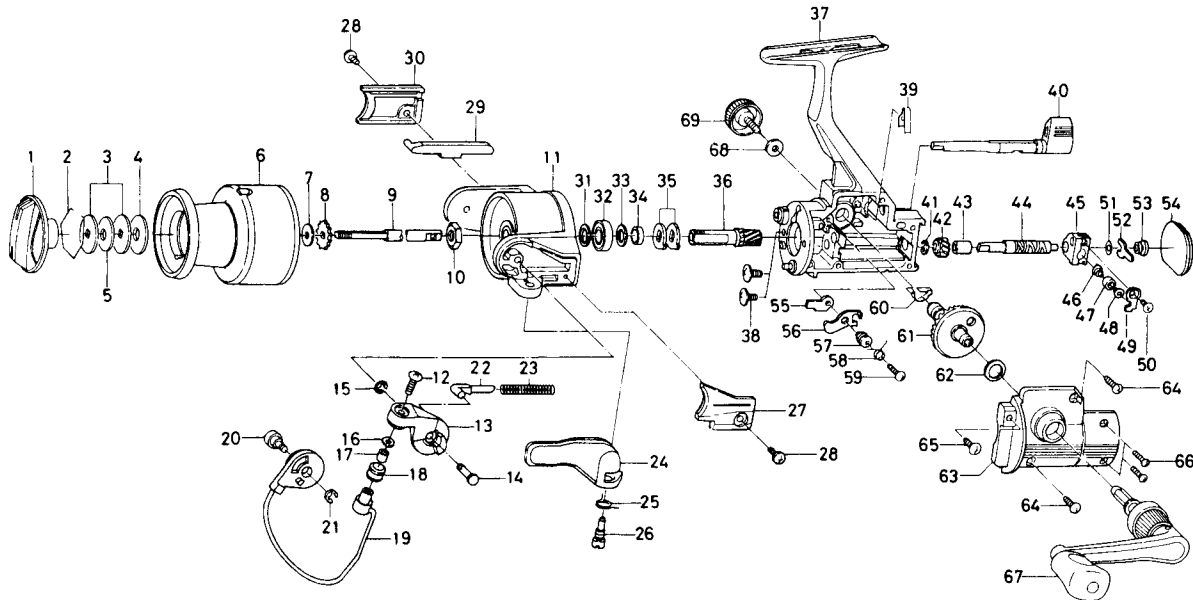


SPINNING REEL — PS705



Key No. 2-6
E41-5901 Spool assembly 9.00

| Key No. | Part No. | Part Name | Price | Key No. | Part No. | Part Name | Price |
|---------|----------|------------------------------|-------|---------|----------|--------------------------------|-------|
| 1 | E41-6301 | Drag knob | 1.20 | 36 | E42-0001 | Pinion gear | 4.75 |
| 2 | 171-7701 | Drag washer retainer | .35 | 37 | F05-0701 | Body | 7.50 |
| 3 | E13-6103 | Key washer | .80 | 38 | E03-7801 | Bearing retainer screw | .60 |
| 4 | E13-6003 | Drag washer | .70 | 39 | E26-8701 | Anti-reverse cam spring | .55 |
| 5 | F05-0901 | Drag spring washer | .95 | 40 | E36-3207 | Anti-reverse lever | 1.30 |
| 6 | E41-6001 | Spool assembly | N/A | 41 | B33-9801 | Worm shaft gear retainer | .35 |
| 7 | E39-4001 | Spool washer | .60 | 42 | E41-5801 | Worm shaft gear | 1.60 |
| 8 | E36-5301 | Click gear | .60 | 43 | E29-6501 | Worm shaft bush | .80 |
| 9 | E37-2301 | Main shaft | 2.10 | 44 | E41-9901 | Worm shaft | 6.50 |
| 10 | 341-9201 | Rotor nut | .55 | 45 | F01-1003 | Oscillating slider | 3.70 |
| 11 | E37-3205 | Rotor | 4.80 | 46 | E12-2403 | Oscillating pawl | 4.95 |
| 12 | B67-9304 | Line roller screw | .40 | 47 | E12-4601 | Oscillating pawl bush | 2.10 |
| 13 | E37-3301 | Bail arm | 1.65 | 48 | 375-0800 | Oscillating pawl washer | .40 |
| 14 | E37-3401 | Bail arm screw | 1.00 | 49 | E11-6801 | Oscillating slider cover | .80 |
| 15 | 320-5901 | Bail arm screw retainer | .50 | 50 | E15-0203 | Oscillating slider cover screw | .70 |
| 16 | B55-4301 | Line roller washer | .40 | 51 | B53-6101 | Worm shaft washer | .35 |
| 17 | B45-1501 | Line roller collar | .60 | 52 | E29-6701 | Worm shaft retainer | .80 |
| 18 | 250-3921 | Line roller | .90 | 53 | E29-6601 | Worm shaft collar | 2.35 |
| 19 | E38-8501 | Bail | 4.25 | 54 | F01-9808 | Rear cover | 2.60 |
| 20 | E38-3102 | Bail trip cam screw | 1.00 | 55 | B95-9301 | Anti-reverse pawl plate | .70 |
| 21 | 320-5901 | Bail trip cam screw retainer | .50 | 56 | E27-1301 | Anti-reverse pawl | 1.15 |
| 22 | E36-8201 | Bail spring shaft | .70 | 57 | B95-9501 | Anti-reverse pawl collar | .95 |
| 23 | E37-2401 | Bail spring | .70 | 58 | B95-9602 | Anti-reverse pawl spring A | .60 |
| 24 | E37-3601 | Trigger lever | 2.70 | 59 | B00-8601 | Anti-reverse pawl screw | .35 |
| 25 | E36-9901 | Trigger spring | .70 | 60 | E29-6902 | Anti-reverse pawl spring B | 1.40 |
| 26 | E41-7801 | Trigger screw | 1.15 | 61 | E42-0101 | Drive gear | 3.90 |
| 27 | E37-3503 | Bail spring cover | 1.15 | 62 | 375-8502 | Drive gear washer | .35 |
| 28 | E36-4201 | Bail spring cover screw | .60 | 63 | F02-0002 | Side cover | 3.40 |
| 29 | E36-8402 | Bail trip lever | 1.15 | 64 | E15-8601 | Side cover screw A | .60 |
| 30 | E36-8503 | Bail trip cover | 1.15 | 65 | E13-0501 | Side cover screw B | .60 |
| 31 | 375-8503 | Bearing washer A | .60 | 66 | E11-9601 | Side cover screw C | .70 |
| 32 | 634-1301 | Ball bearing | 6.95 | 67 | E41-7902 | Handle assembly | 6.50 |
| 33 | 375-8503 | Bearing washer B | .60 | 68 | F02-0201 | Handle lock washer | .35 |
| 34 | E29-6101 | Spacing sleeve | .70 | 69 | F03-5601 | Handle lock screw | 1.65 |
| 35 | E36-9401 | Anti-reverse ratchet | .70 | | | | |