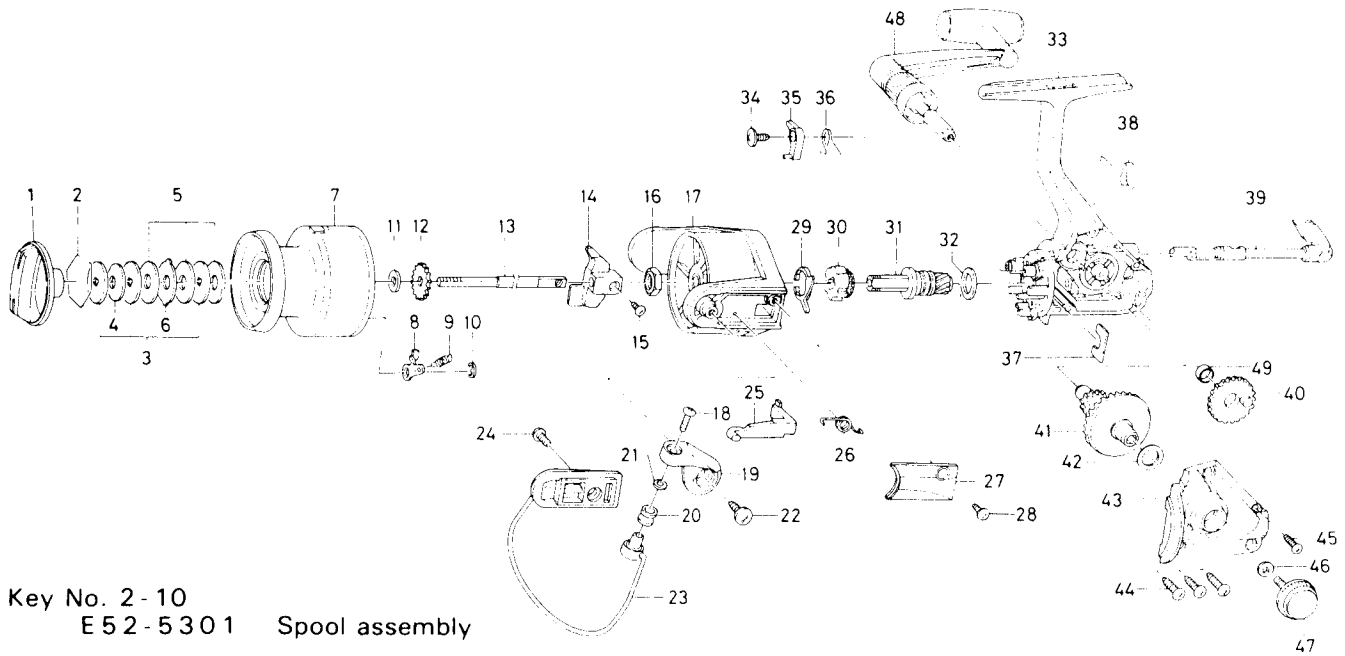


SPINNING REEL — AG1600/2000



Key No. 2-10
E 52-5301 Spool assembly

Key No.	Parts No.	Parts Name
1	E 41-9402	Drag knob
2	171-7701	Drag washer retainer
3	F09-4901	Key washer
4	151-6101	Drag spring washer
5	E 13-6003	Drag washer
6	373-3603	Eared washer
7	E 52-5401	Spool assembly
8	B07-5304	Click pawl
9	E40-3101	Click spring
10	320-5901	Click retainer
11	F09-4701	Spool washer
12	E46-2701	Click gear
13	E46-1801	Main shaft
14	F09-1301	Oscillating slider
15	352-1502	Oscillating block screw
16	340-6602	Rotor nut
17	F10-6602	Rotor
18	B67-9304	Line roller screw
19	E45-1701	Bail arm
20	L01-8201	Line roller
21	B55-4301	Line roller washer
22	E00-7101	Bail arm screw
23	F10-6701	Bail assembly
24	L01-1702	Bail trip cam screw
25	E46-2101	Bail trip lever
26	F12-8901	Bail spring
27	E46-2201	Bail spring cover
28	E36-4202	Bail spring cover screw
29	E46-2001	Anti-reverse pawl spring A
30	E46-1901	Anti-reverse ratchet

Key No.	Parts No.	Parts Name
31	E 48-6201	Pinion gear
32	372-8600	Pinion washer
33	F20-3801	Body assembly
34	E00-7101	Anti-reverse pawl screw
35	E46-1302	Anti-reverse pawl
36	E46-1201	Anti-reverse pawl spring B
37	632-6601	Pinion retainer
38	E32-7801	Anti-reverse cam spring
39	F08-5109	Anti-reverse lever
40	E46-1501	Oscillating gear
41	E46-1701	Drive gear
42	373-7800	Drive gear washer
43	F20-3901	Side cover
44	B83-5002	Side cover screw A
45	E15-8602	Side cover screw B
46	B92-4902	Handle lock washer
47	B92-5001	Handle lock screw
48	L01-1102	Handle assembly
49	E13-1601	Oscillating gear collar

AG2000 Special Parts

2-10	E 52-5501	Spool assembly
7	E 52-5601	Spool assembly
17	F10-7202	Rotor
23	F10-6801	Bail assembly
25	E46-3101	Bail trip lever
33	F20-3802	Body assembly
43	F20-3902	Side cover