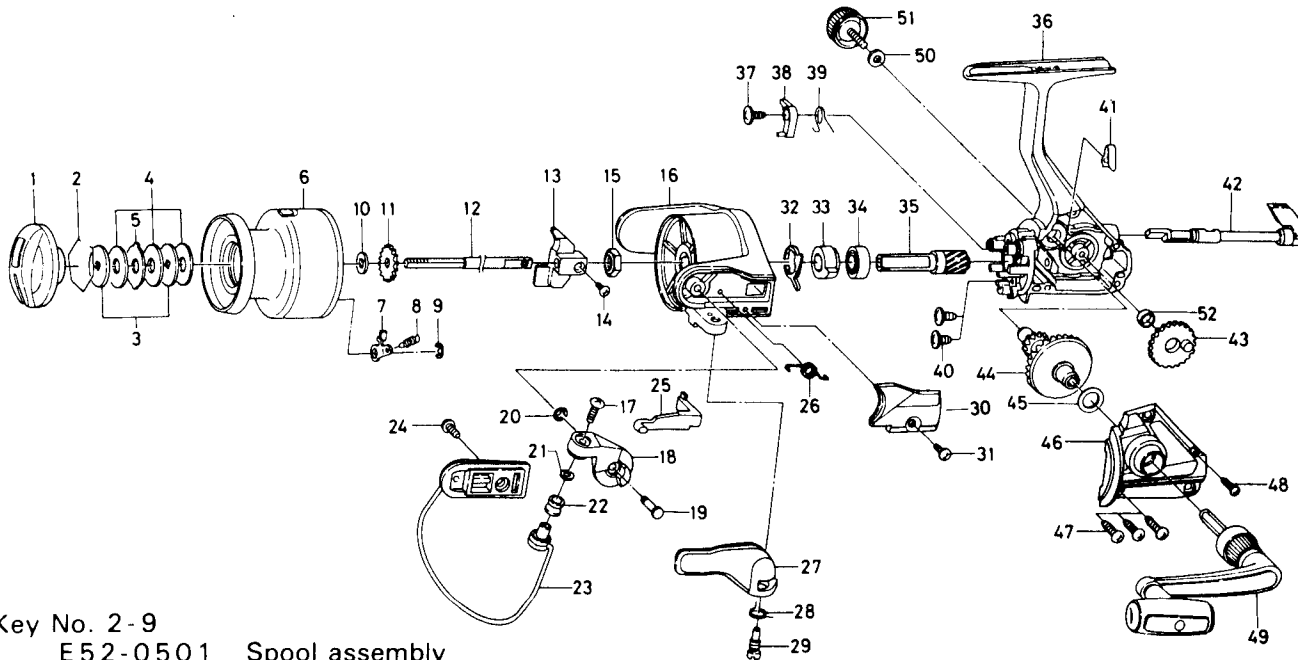


SPINNING REEL — EL1605X



Key No. 2-9
E52-0501 Spool assembly

Key No.	Parts No.	Parts Name	Key No.	Parts No.	Parts Name
1	E50-4702	Drag knob	27	F11-0601	Trigger lever
2	171-7701	Drag washer retainer	28	E36-9901	Trigger spring
3	F09-4901	Key washer	29	E37-0001	Trigger screw
4	E13-6003	Drag washer	30	E49-2501	Bail spring cover
5	373-3603	Eared washer	31	E36-4201	Bail spring cover screw
6	E52-0601	Spool assembly	32	E46-2001	Anti-reverse pawl spring
7	B07-5304	Click pawl	33	F11-1301	Anti-reverse ratchet
8	E40-3101	Click spring	34	L03-6502	Ball bearing
9	320-5901	Click retainer	35	E52-0101	Pinion gear
10	F09-4701	Spool washer	36	F17-0401	Body assembly
11	E46-2701	Click gear	37	E00-7101	Anti-reverse pawl screw
12	E48-5301	Main shaft	38	E46-1302	Anti-reverse pawl
13	F09-1301	Oscillating slider	39	E46-1201	Anti-reverse pawl spring
14	352-1502	Oscillating block screw	40	E03-7801	Bearing retainer screw
15	340-6602	Rotor nut	41	E32-7801	Anti-reverse cam spring
16	F11-0903	Rotor	42	F08-5115	Anti-reverse lever
17	B67-9305	Line roller screw	43	E46-1501	Oscillating gear
18	E49-4101	Bail arm	44	E52-0201	Drive gear
19	E49-3501	Bail arm screw	45	373-7800	Drive gear washer
20	320-5901	Bail arm screw retainer	46	F19-3901	Side cover
21	B55-4301	Line roller washer	47	B83-5001	Side cover screw A
22	L01-8201	Line roller	48	E15-8601	Side cover screw B
23	F17-0301	Bail assembly	49	L01-1102	Handle assembly
24	L01-1701	Bail trip cam screw	50	B92-4902	Handle lock washer
25	E46-2101	Bail trip lever	51	B92-5002	Handle lock screw
26	F12-8901	Bail spring	52	F13-1601	Oscillating gear collar