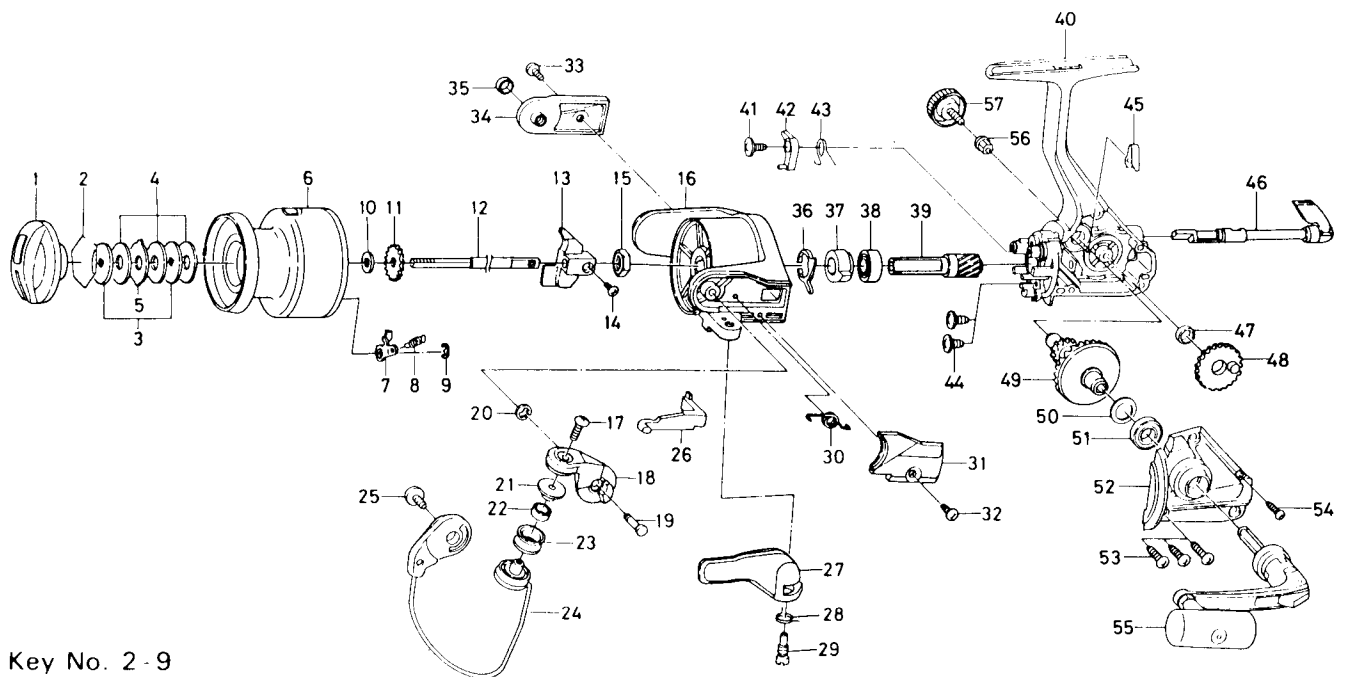


SPINNING REEL — PS1605BL



Key No. 2-9

E 52-4301 Spool assembly

Key

Key No.	Parts No.	Parts Name
1	F 19-8801	Drag knob
2	171-7701	Drag washer retainer
3	F 09-4901	Key washer
4	E 13-6003	Drag washer
5	373-3603	Eared washer
6	E 52-4401	Spool assembly
7	B 07-5304	Click pawl
8	E 40-3101	Click spring
9	320-5901	Click retainer
10	F 09-4701	Spool washer
11	E 46-2701	Click gear
12	E 48-5301	Main shaft
13	F 09-1301	Oscillating slider
14	352-1502	Oscillating block screw
15	340-6602	Rotor nut
16	F 11-0904	Rotor
17	B 67-9305	Line roller screw
18	F 17-9801	Bail arm
19	E 49-3501	Bail arm screw
20	320-5901	Bail arm screw retainer
21	F 06-6301	Line roller collar
22	F 05-5601	Ball bearing A
23	F 05-8901	Line roller
24	F 19-4301	Bail assembly
25	B 51-5302	Bail trip cam screw
26	E 46-2101	Bail trip lever
27	F 18-0001	Trigger lever
28	E 36-9901	Trigger spring
29	E 37-0001	Trigger screw

Key

Key No.	Parts No.	Parts Name
30	F 12-8901	Bail spring
31	F 19-4001	Bail spring cover
32	E 36-4201	Bail spring cover screw
33	L 01-1701	Bail trip cover screw
34	F 19-4001	Bail trip cover
35	F 17-3001	Bail trip collar
36	E 46-2001	Anti-reverse pawl spring A
37	F 11-1301	Anti-reverse ratchet
38	L 03-6502	Ball bearing B
39	E 52-0101	Pinion gear
40	F 19-3802	Body assembly
41	E 00-7101	Anti-reverse pawl screw
42	E 46-1302	Anti-reverse pawl
43	E 46-1201	Anti-reverse pawl spring B
44	E 03-7801	Bearing retainer screw
45	E 32-7801	Anti-reverse cam spring
46	F 08-5119	Anti-reverse lever
47	F 13-1601	Oscillating gear collar
48	E 46-1501	Oscillating gear
49	E 52-0201	Drive gear
50	373-7800	Drive gear washer
51	631-6901	Ball bearing C
52	E 50-5606	Side cover
53	B 83-5001	Side cover screw A
54	E 15-8601	Side cover screw B
55	L 05-0102	Handle assembly
56	E 12-7501	Handle collar
57	B 92-5002	Handle lock screw