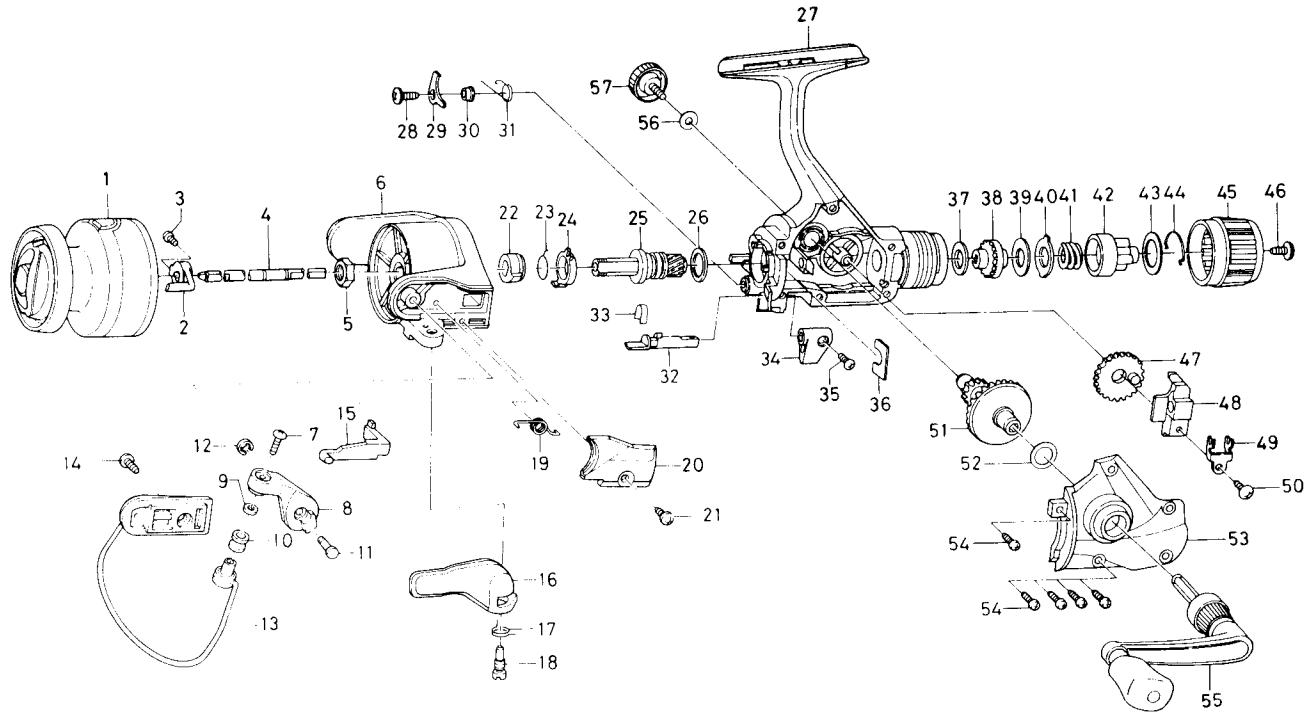


# SPINNING REEL EG1355X



Key NO.	Parts No.	Parts Name
1	F19-7901	Spool assembly
2	F19-6702	Spool metal
3	351-1001	Spool metal screw
4	F19-5502	Main shaft
5	341-9201	Rotor nut
6	F11-1201	Rotor
7	B67-9304	Line roller screw
8	E49-4101	Bail arm
9	B55-4301	Line roller washer
10	L01-8201	Line roller
11	E49-3501	Bail arm screw
12	320-5901	Bail arm screw retainer
13	E52-8901	Bail assembly
14	L01-1701	Bail trip cam screw
15	E45-1601	Bail trip lever
16	F11-0601	Trigger lever
17	E36-9901	Trigger spring
18	E37-0001	Trigger screw
19	F22-2601	Bail spring
20	E49-4201	Bail spring cover
21	E36-4201	Bail spring cover screw
22	E49-2401	Anti-reverse ratchet
23	F19-6301	Anti-reverse pawl spring A
24	F19-6201	Spring holder
25	E48-4601	Pinion gear
26	372-7603	Pinion washer
27	F19-7404	Body assembly
28	L00-1801	Anti-reverse pawl screw
29	F19-5301	Anti-reverse pawl
30	L01-4302	Anti-reverse pawl collar

Key NO.	Parts No.	Parts Name
31	L00-1501	Anti-reverse pawl spring B
32	F19-5101	Anti-reverse cam
33	F19-5201	Anti-reverse cam spring
34	F19-4901	Anti-reverse lever
35	B64-6601	Anti-reverse lever screw
36	B60-3801	Pinion retainer
37	B48-9902	Drag washer A
38	F19-7601	Click gear
39	B76-0502	Drag washer B
40	B49-0102	Eared washer
41	F06-2301	Drag coil spring
42	F19-5901	Drag collar
43	L11-0001	Drag collar washer
44	L08-5601	Drag washer spring
45	F19-9501	Drag knob
46	E03-7802	Drag knob screw
47	E45-1302	Oscillating gear
48	F19-5401	Oscillating slider
49	F19-5601	Oscillating slider retainer
50	350-8912	Oscillating slider screw
51	F08-4801	Drive gear
52	373-7800	Drive gear washer
53	F19-7503	Side cover
54	E15-8602	Side cover screw
55	E49-3801	Handle assembly
56	B92-4902	Handle lock washer
57	B92-5001	Handle lock screw
58	E29-9401	Oscillating gear collar