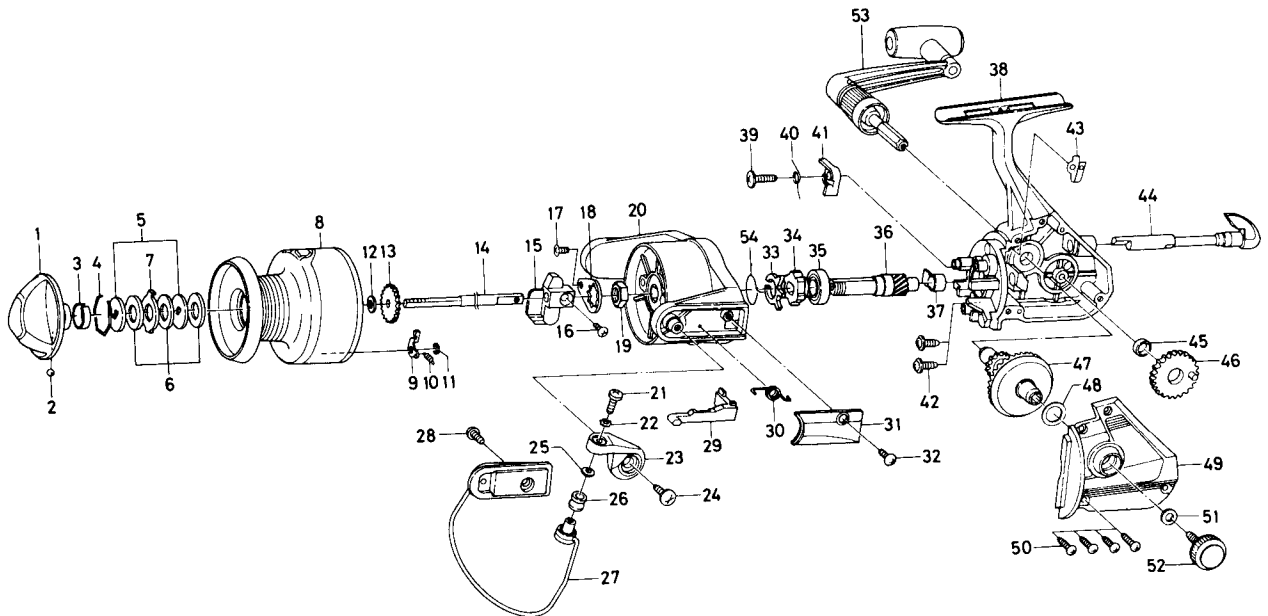


SPINNING REEL EL7000X



No. 4-11 L13-6301 Spool assembly

Key No	Parts No	Parts Name	Key No	Parts No	Parts Name
1	E50-9701	Drag knob	29	L11-5501	Bail trip lever
2	635-4701	Click ball	30	L06-7001	Bail spring
3	B32-8701	Click leaf spring	31	L11-5601	Bail spring cover
4	171-7701	Drag washer retainer	32	E36-4201	Bail spring cover screw
5	L03-1301	Key washer	33	L07-0701	Anti-reverse pawl spring A
6	373-3712	Drag washer	34	L09-1701	Anti-reverse ratchet
7	B89-9501	Eared washer	35	L03-6401	Ball bearing
8	L13-6401	Spool assembly	36	L11-4401	Pinion gear
9	B07-8201	Click pawl	37	L00-6001	Pinion collar
10	145-2101	Click spring	38	L13-6001	Body assembly
11	320-1402	Click retainer	39	L06-6501	Anti-reverse pawl screw
12	L11-9101	Spool washer	40	L06-6401	Anti-reverse pawl spring B
13	L11-8501	Click gear	41	L07-8601	Anti-reverse pawl
14	L11-9501	Main shaft	42	L01-1601	Bearing retainer screw
15	L11-4801	Oscillating slider	43	E01-1801	Anti-reverse cam spring
16	351-8901	Oscillating slider screw	44	L10-0709	Anti-reverse lever
17	L01-1702	Rotor nut holding plate screw	45	B47-4101	Oscillating gear collar
18	B02-1601	Rotor nut holding plate	46	L11-4701	Oscillating gear
19	340-8301	Rotor nut	47	L07-1701	Drivegear
20	L11-5407	Rotor	48	371-2800	Drivegear washer
21	353-9702	Line roller washer	49	L13-6201	Sidcover
22	160-8101	Lock washer	50	B83-5001	Sidcover screw
23	L10-5001	Bail arm	51	L02-2301	Handle lock washer
24	E00-7602	Bail arm screw	52	L00-9101	Handle lock screw
25	373-4501	Line roller washer	53	L01-2901	Handle assembly
26	250-4221	Line roller	54	F21-2001	Anti-reverse pawl spring C
27	L13-3401	Bail assembly			
28	L01-1701	Bail trip cam screw			