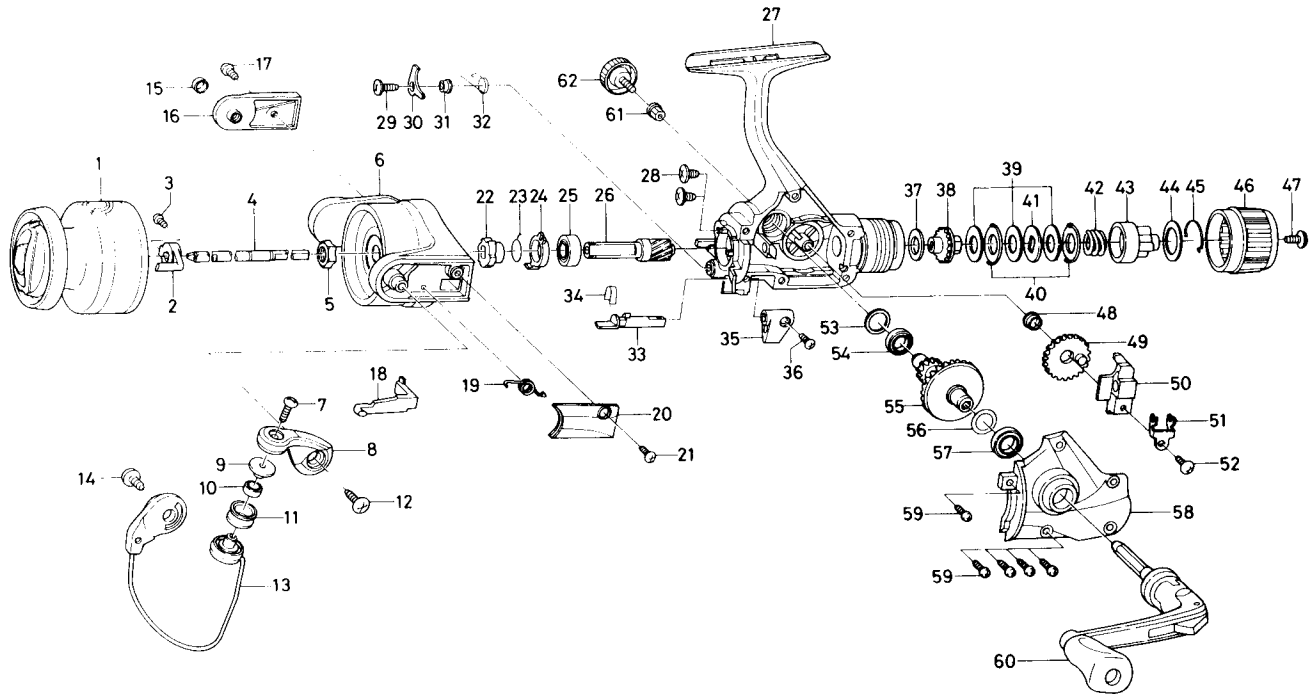


SPINNING REEL PG1350BL



Key No.	Parts No.	Parts Name
1	F19-6801	Spool assembly
2	F19-6702	Spool metal
3	351-1001	Spool metal screw
4	F19-5502	"Main shaft"
5	341-9201	Rotor nut
6	F19-6401	Rotor
7	B67-9305	Line roller screw
8	E50-4802	Bail arm
9	F06-6301	Line roller collar
10	F05-5601	Ball bearing A
11	F05-8901	Line roller
12	E00-7102	Bail arm screw
13	F19-6501	Bail assembly
14	B51-5302	Bail trip cam screw
15	F17-3001	Bail trip collar
16	F17-9901	Bail trip cover
17	L01-1701	Bail trip cover screw
18	E45-1601	Bail trip lever
19	F12-8901	Bail spring
20	F08-8401	Bail spring cover
21	E36-4201	Bail spring cover screw
22	L01-4001	Anti-reverse ratchet
23	F19-6301	Anti-reverse pawl spring A
24	F19-6201	Spring holder
25	L03-6601	Ball bearing B
26	E51-9801	Pinion gear
27	F19-4801	Body assembly
28	E03-7801	Bearing retainer screw
29	L00-1801	Anti-reverse pawl screw
30	F19-5301	Anti-reverse pawl
31	L01-4302	Anti-reverse pawl collar
32	L00-1501	Anti-reverse pawl spring B

Key No.	Parts No.	Parts Name
33	F19-5101	Anti-reverse cam
34	F19-5201	Anti-reverse cam spring
35	F19-4901	Anti-reverse lever
36	864-6602	Anti-reverse lever screw
37	B48-9902	Drag washer A
38	B83-3604	Click gear
39	L10-9601	Drag washer B
40	L10-9701	Eared washer
41	L10-9801	Key washer
42	F06-2301	Drag coil spring
43	F19-5901]Drag collar
44	L11-0001	Drag collar washer
45	L08-5601	Drag washer spring
46	F19-9501	Drag knob
47	E03-7802	Drag knob screw
48	E29-9401	Oscillating gear collar
49	E45-1302	Oscillating gear
50	F19-5401	Oscillating slider
51	F19-5601	Oscillating slider retainer
52	350-8912	Oscillating slider screw
53	E50-5801	Bearing washer
54	637-5701	Ball bearing C
55	F17-0001	Drive gear
56	373-7800	Drive gear washer
57	631-6901	Ball bearing D
58	F19-5701	Side cover
59	E15-8602	Side cover screw
60	F19-9401	Handle assembly
61	501-8501	Handle collar
62	B92-5002	Handle lock screw