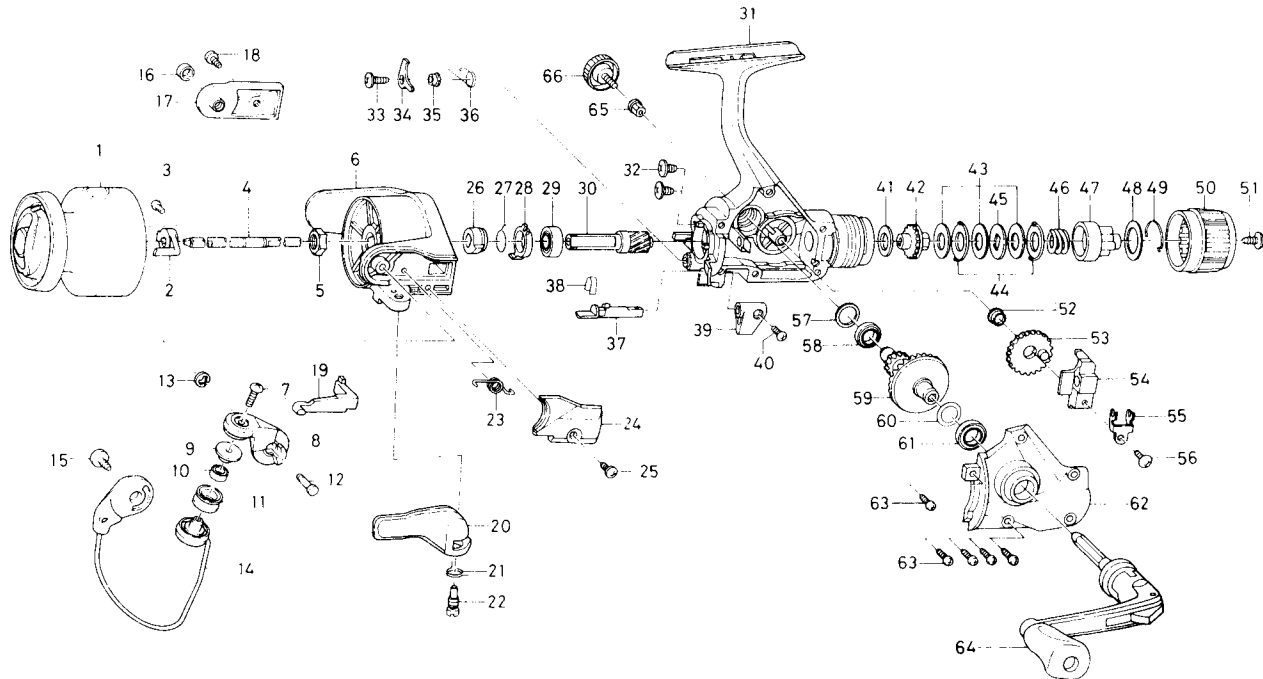


SPINNING REEL PG1355BL



Key No.	Parts No.	Parts Name	Key No.	Parts No.	Parts Name
1	F19-6801	Spool assembly	34	F19-5301	Anti-reverse pawl
2	F19-6702	Spool metal	35	L01-4302	Anti-reverse pawl collar
3	351-1001	Spool metal screw	36	L00-1501	Anti-reverse pawl spring B
4	F19-5502	Main shaft	37	F19-5101	Anti-reverse cam
5	341-9201	Rotor nut	38	F19-5201	Anti-reverse cam spring
6	F11-1205	Rotor	39	F19-4901	Anti-reverse lever
7	B67-9305	Line roller screw	40	B64-6602	Anti-reverse lever screw
8	F17-9801	Bail arm	41	B48-9902	Drag washer A
9	F06-6301	Line roller collar	42	B83-3604	Click gear
10	F05-5601	Bail bearing A	43	L10-9601	Drag washer B
11	F05-8901	Line roller	44	L10-9701	Eared washer
12	E49-3501	Bail arm screw	45	L10-9801	Key washer
13	320-5901	Sail arm screw retainer	46	F06-2301	Drag coil spring
14	F18-0101	Bail assembly	47	F19-5901	Drag collar
15	B51-5302	Bail trip cam screw	48	L11-0001	Drag collar washer
16	F17-3001	Bail trip collar	49	L08-5601	Drag washer spring
17	F17-9901	Bail trip cover	50	F19-9501	Drag knob
18	L01-1701	Bail trip cover screw	51	E03-7802	Drag knob screw
19	E45-1601	Bail trip lever	52	E29-9401	Oscillating gear collar
20	F18-0001	Trigger lever	53	E45-1302	Oscillating gear
21	E36-9901	Trigger spring	54	F19-5401	Oscillating slider
22	E37-0001	Trigger screw	55	F19-5601	Oscillating slider retainer
23	F22-2601	Bail spring	56	350-8912	Oscillating slider screw
24	E49-4201	Bail spring cover	57	E50-5801	Bearing washer
25	E36-4201	Bail spring cover screw	58	637-5701	Ball bearing C
26	E49-2401	Anti-reverse ratchet	59	F17-0001	Drive gear
27	F19-6301	Anti-reverse pawl spring A	60	373-7800	Drive gear washer
28	F19-6201	Spring holder	61	631-6901	Ball bearing D
29	L03-6601	Ball bearing B	62	F19-5703	Side cover
30	E51-9801	Pinion gear	63	E15-8602	Side cover screw
31	F19-4806	Body assembly	64	F19-9401	Handle assembly
32	E03-7801	Bearing retainer screw	65	501-8501	Handle collar
33	L00-1801	Anti-reverse pawl screw	66	B92-5002	Handle lock screw