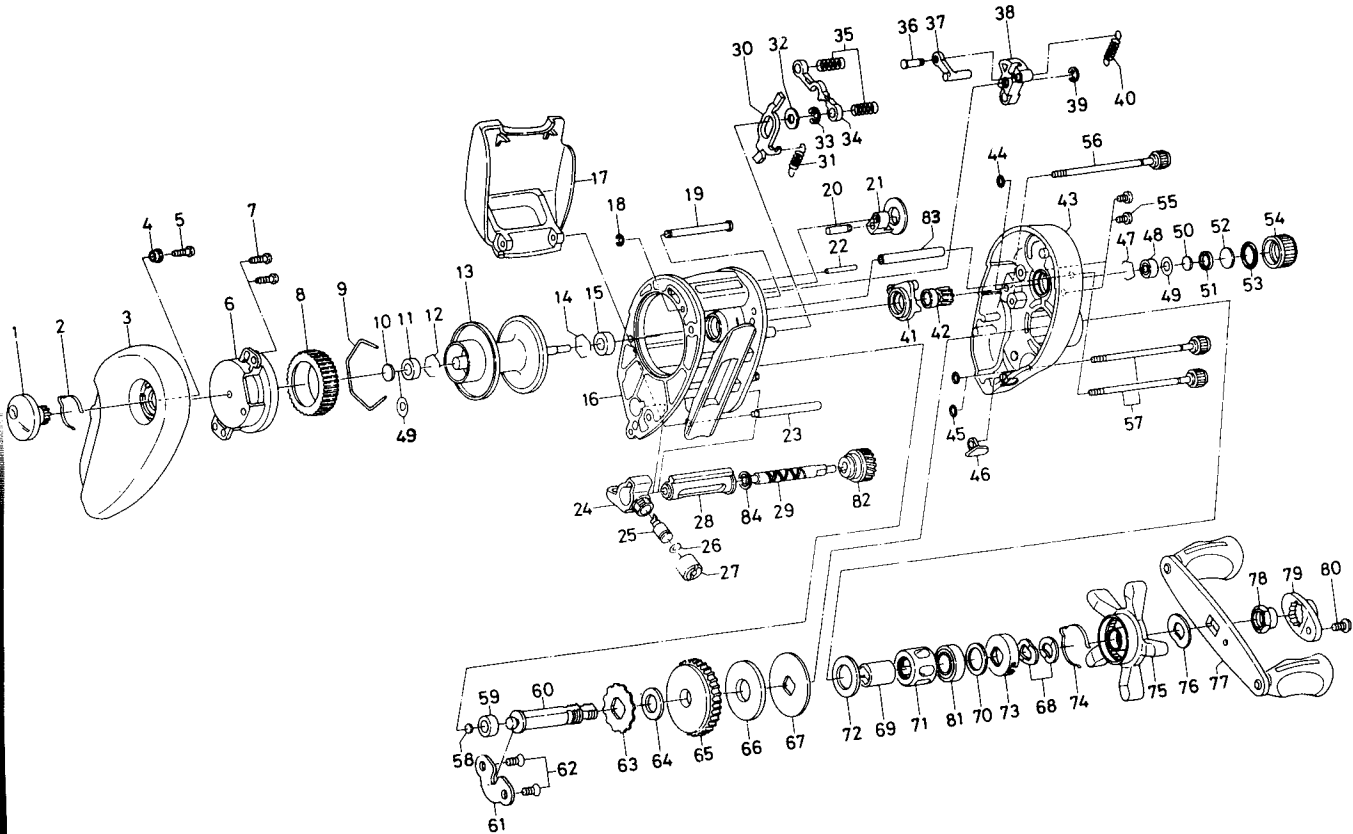


SPINCASTING REEL TD1Pi/2Pi



Key
NO.

Key NO.	Parts No.
1	F02-9605
2	F05-1701
3	F02-9201
4	F02-9801
5	E15-7502
6	F02-9401
7	E15-7502
8	B66-1201
9	B54-3201
10	375-7405
11	B35-8601
12	B42-1601
13	F05-0201
14	B42-1601
15	B35-8601
16	F07-4701
17	E39-3409
18	886-4101
19	E39-2001
20	E39-1901
21	F02-6701
22	E19-6801
23	F02-9001
24	E39-3301
25	121-4212

Parts Name

Brake adjusting knob
Brake click spring
Left side -plate
Brake adjusting knob collar
Brake adjusting knob screw
Left set plate
Left set plate screw
Magnet holder
Magnet holder ret. ring
Spacer A
Ball bearing A
Bearing retainer A
Spool assembly
Bearing relainer A
Ball bearing A
Frame assembly
Parning plate
Stabilizer bar retainer
Stabilizer bar A
Flipping/casting selector pin
Flipping/casting selector
Stabilizer bar B
Stabilizer bar C
Line guide
Line guide pawl

Key
NO.

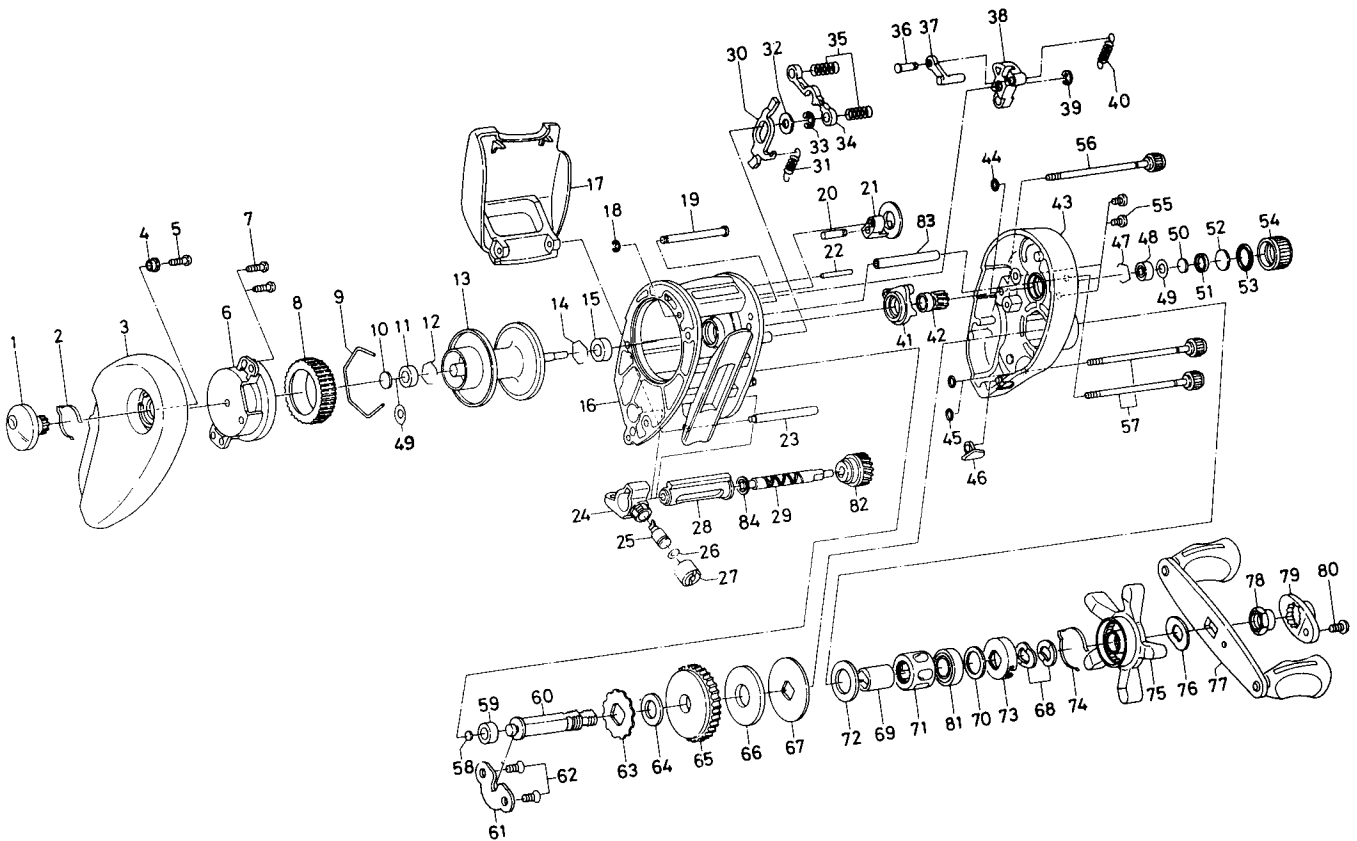
Key NO.	Parts No.
26	375-4101
27	342-4801
28	F03-6001
29	E24-7101
30	F02-7101
31	E43-0001
32	371-6903
33	320-1402
34	E30-4301
35	E23-6401
36	E19-7201
37	E19-7101
38	F02-6601
39	B33-9801
40	F05-3101
41	E44-3801
42	F26-4201
43	F09-6611
44	B85-3101
45	B85-3101
46	E16-9502
47	E21-9701
48	E08-8001

Parts Name

Line guide washer
Pawl cap
Level wind guard
Worm shaft
Clutch trip plate
Clutch trip plate spring
Clutch trip plate washer
Clutch trip plate retainer
Yoke
Yoke spring
Clutch trip plate arm pin
Clutch trip plate arm
Clutch cam
Clutch cam retainer
Clutch cam spring
Yoke plate
Pinion gear
Right side plate
"O" ring A
"O" ring A
Line holder
Bearing retainer B
Ball bearing B

Continued on page 33

SPINCASTING REEL TD1Pi/2Pi



Key NO.	Parts No.	Parts Name
49	E25-6101	Oiled washer A
50	374-9102	Spool adjusting cap metal
51	E23-0501	Spacer B
52	B17-5502	Spacer C
53	171-5201	"O" ring B
54	B85-3401	Cast control cap
55	353-4402	Set plate screw
56	B91-1714	Right side plate screw A
57	B91-1710	Right side plate screw B
58	812-0201	Drive shaft washer A
59	B35-8601	Ball bearing A
60	F02-7401	Drive shaft
61	E19-9401	Drive shaft retainer
62	B39-6503	Drive shaft retainer screw
63	E32-7701	Anti-reverse ratchet
64	E42-5301	Drive shaft washer B
65	F26-4401	Drive gear
66	F02-7801	Drag washer
67	F06-2501	Key washer
68	150-8901	Drag spring washer
69	F02-8001	Gear shaft collar
70	B55-3801	Oiled washer B
71	E42-1401	Roller clutch
72	E42-5401	Spacing sleeve
73	F02-8201	Click leaf spring holder

Key NO.	Parts No.	Parts Name
74	F03-2401	Click leaf spring
75	F02-8301	Star drag
76	150-9001	Friction washer
77	F26-4501	Handle assembly
78	341-5802	Handle nut
79	F02-8801	Handle nut plate
80	351-1803	Handle nut plate screw
81	F05-5501	Ball bearing C
82	F06-1301	Worm shaft gear
83	E42-5901	Stabilizer bar D
84	E03-7703	Worm shaft washer

TD2Pi SPECIAL PARTS

13	F05-0301	Spool assembly
16	F07-4801	Frame assembly
17	F02-7909	Parming plate
19	F02-7301	Stabilizer bar A
23	F02-7601	Stabilizer bar C
28	F02-7501	Level wind guard
29	E28-4601	Worm shaft
43	F09-6612	Right side plate
56	B91-1715	Right side plate screw A
57	891-1712	Right side plate screw B
83	E42-6001	Stabilizer bar D