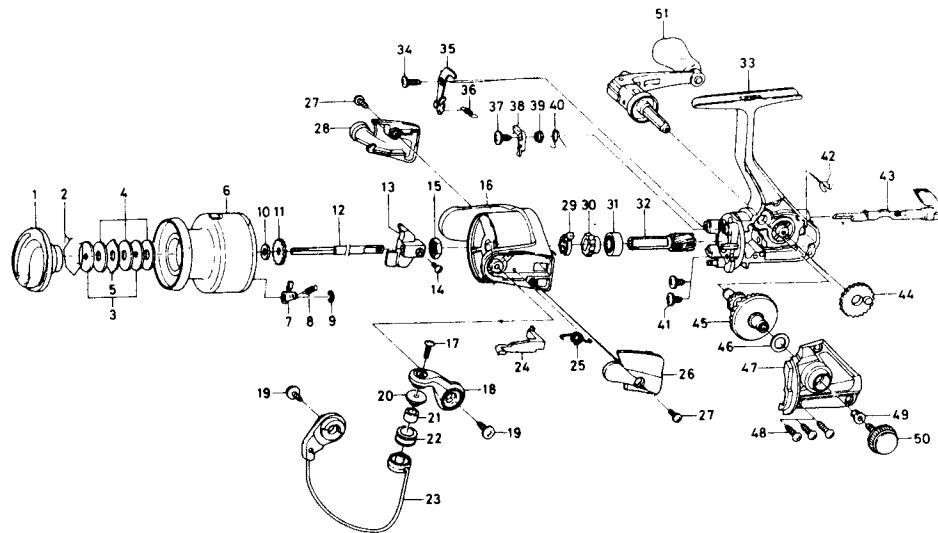


SPINING REEL REGAL-S1500B



Key NO.	Parts No.	Parts Name	Key NO.	Parts No.	Parts Name
2-9	F33-0101	Spool assembly	30	F32-7701	Anti-reverse ratchet
1	F32-8501	Drag knob	31	634-1301	Ball bearing
2	F37-3301	Drag washer retainer	32	F12-1601	Pinion gear
3	E46-7201	Key washer	33	F33-0001	Body assembly
4	E13-6001	Drag washer	37	F12-5701	Anti-reverse pawl screw
5	373-3603	Eared washer	38	F12-1901	Anti-reverse pawl
6	F33-0201	Spool assembly	39	F12-3501	Anti-reverse pawl collar
7	B07-5304	Click pawl	40	F12-3401	Anti-reverse pawl spring B
8	E40-3101	Click spring	41	E03-7801	Bearing retainer screw
9	320-5901	Click retainer	42	F12-2001	Anti-reverse cam spring
10	E46-7101	Spool washer	43	F08-5122	Anti-reverse lever
11	270-6501	Click gear	44	F12-2201	Oscillating gear
12	E49-8401	Main shaft	45	F12-1501	Drive gear
13	F12-2301	Oscillating slider	46	375-8501	Drive gear washer
14	351-0311	Oscillating slider screw	47	F32-7601	Side cover
15	341-9201	Rotor nut	48	E15-8602	Side cover screw
16	F32-7801	Rotor	49	501-8501	Handle collar
17	B67-9306	Line roller screw	50	B92-5004	Handle lock screw
18	F32-3001	Bail arm	51	F32-8201	Handle assembly
19	B84-2102	Bail arm screw			
20	F06-6301	Line roller collar			
21	F31-6801	Line roller bushing			
22	E50-6001	Line roller			
23	F32-8001	Bail assembly			
24	E49-6401	Bail trip lever			
25	E49-6801	Bail spring			
26	F32-4201	Bail spring cover			
27	E24-8101	Bail spring cover screw			
28	F32-6301	Bail trip cover			
29	F12-2101	Anti-reverse pawl spring A			