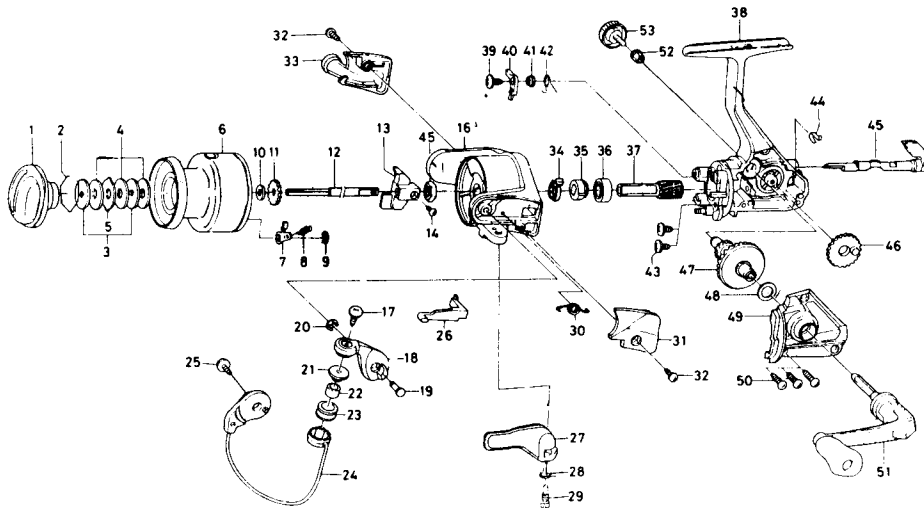


# SPINNING REEL REGAL-S1505B



Key NO.	Parts No.	Parts Name	Key NO.	Parts No.	Parts Name
2-9	F33-0101	Spool assembly	27	E49-3406	Trigger lever
1	F32-8501	Drag knob	28	E36-9901	Trigger spring
2	F37-3301	Drag washer retainer	29	E37-0002	Trigger screw
3	E46-7201	Key washer	30	E49-6801	Bail spring
4	E13-6001	Drag washer	31	F32-4101	Bail spring cover
5	373-3603	Eared washer	32	E24-8101	Bail spring cover screw
6	F33-0201	Spool assembly	33	F32-6501	Bail trip cover
7	B07-5304	Click pawl	34	F12-2101	Anti-reverse pawl spring A
8	E40-3101	Click spring	35	E49-8501	Anti-reverse ratchet
9	320-5901	Click retainer	36	634-1301	Ball bearing
10	E46-7101	Spoolwasher	37	F12-1601	Pinion gear
11	270-6501	Click gear	38	F33-0002	Body assembly
12	E49-8401	Main shaft	39	F12-5701	Anti-reverse pawl screw
13	F12-2301	Oscillating slider	40	F12-1901	Anti-reverse pawl
14	351-0311	Oscillating slider screw	41	F12-3501	Anti-reverse pawl collar
15	341-9201	Rotor nut	42	F12-3401	Anti-reverse pawl spring B
16	F33-1401	Rotor	43	E03-7801	Bearing retainer screw
17	B67-9306	Line roller screw	44	F12-2001	Anti-reverse cam spring
18	F17-3102	Bail arm	45	F08-5122	Anti-reverse lever
19	E49-3501	Bail arm screw	46	F12-2201	Oscillating gear
20	320-5901	Bail arm screw retainer	47	F12-1501	Drive gear
21	F06-6301	Line roller collar	48	375-8501	Drive gear washer
22	F31-6801	Line roller bushing	49	F32-7602	Side cover
23	E50-6001	Line roller	50	E15-8602	Side cover screw
24	F33-1501	Bail assembly	51	F32-8201	Handle assembly
25	B84-2102	Bail trip cam screw	52	501-8501	Handle collar
26	E49-6401	Bail trip lever	53	B92-5004	Handle lock screw