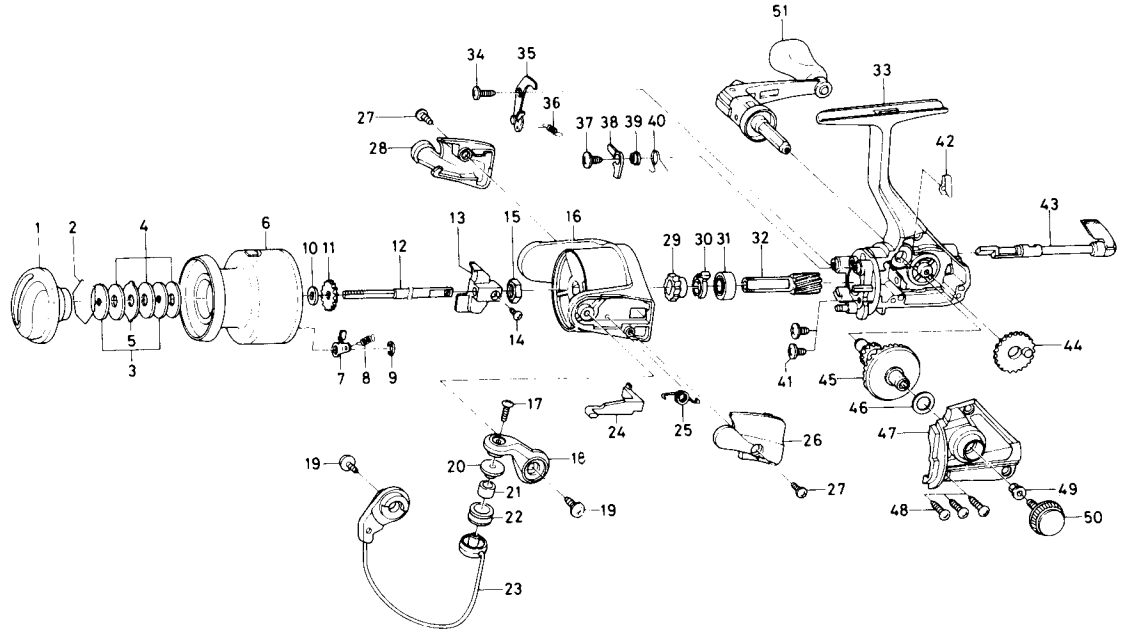


SPINING REEL REGAL-S2500B



Key No.	Parts No.	Parts Name	Key No.	Parts No.	Parts Name
2-9	F32-0501	Spool assembly	28	F31-0401	Bail trip cover
1	F32-2101	Drag knob	29	F31-1501	Anti-reverse ratchet
2	171-7701	Drag washer retainer	30	E38-5501	Anti-reverse pawl spring A
3	E46-7201	Key washer	31	L03-6601	Ball bearing
4	E13-6003	Drag washer	32	E51-9801	Pinion gear
5	373-3603	Eared washer	33	F32-0201	Body assembly
6	F32-0601	Spool assembly	37	L00-1801	Anti-reverse pawl screw
7	B07-5304	Click pawl	38	L01-4401	Anti-reverse pawl
8	E40-3101	Click spring	39	L01-4302	Anti-reverse pawl collar
9	320-5901	Click retainer	40	L00-1501	Anti-reverse pawl spring B
10	E46-7101	Spool washer	41	E03-7801	Bearing retainer screw
11	270-6501	Click gear	42	E32-7801	Anti-reverse cam spring
12	E48-4301	Main shaft	43	F08-5120	Anti-reverse lever
13	E45-1401	Oscillating slider	44	E45-1301	Oscillating gear
14	351-0315	Oscillating slider screw	45	F17-0001	Drive gear
15	341-9201	Rotor nut	46	373-7802	Drive gear washer
16	F32-0401	Rotor	47	F32-0301	Side cover
17	B67-9304	Line roller screw	48	B83-5002	Side cover screw
18	F31-0201	Bail arm	49	501-8501	Handle collar
19	B84-2102	Bail arm screw	50	B92-5001	Handle lock screw
20	F06-6301	Line roller collar	51	F31-9902	Handle assembly
21	E50-5901	Line roller bushing			
22	E50-6001	Line roller			
23	F31-6401	Bail assembly			
24	E45-1601	Bail trip lever			
25	F12-8901	Bail spring			
26	F31-0301	Bail spring cover			
27	E24-8101	Bail spring cover screw			