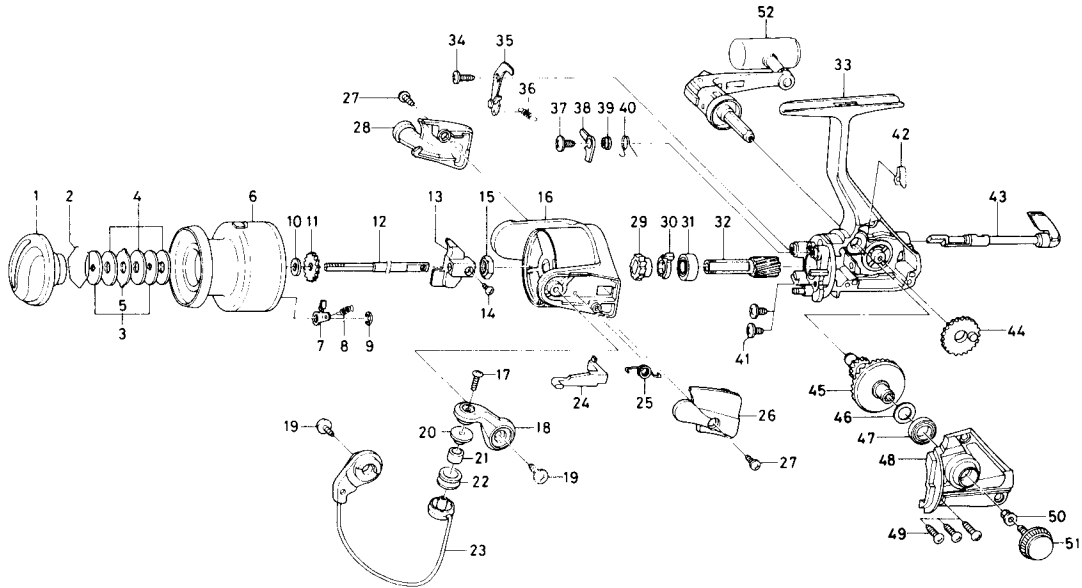


# SPINNING REEL REGAL-X2500-2B



Key NO.	Parts No.	Parts Name	Key NO.	Parts No.	Parts Name
2-9	E52-0304	Spool assembly	29	F31-1501	Anti-reverse ratchet
1	F32-2102	Drag knob	30	E38-5501	Anti-reverse pawl spring A
2	171-7701	Drag washer retainer	31	L03-6601	Ball bearing A
3	E46-7201	Key washer	32	E51-9801	Pinion gear
4	E13-6003	Drag washer	33	F32-5801	Body assembly
5	373-3603	Eared washer	37	L00-1801	Anti-reverse pawl screw
6	E52-0402	Spool assembly	38	L01-4401	Anti-reverse pawl
7	B07-5304	Click pawl	39	L01-4302	Anti-reverse pawl collar
8	E40-3101	Click spring	40	L00-1501	Anti-reverse pawl spring B
9	320-5901	Click retainer	41	E03-7801	Bearing retainer screw
10	E46-7101	Spool washer	42	E32-7801	Anti-reverse cam spring
11	270-6501	Click gear	43	F08-5110	Anti-reverse lever
12	E48-4301	Main shaft	44	E45-1301	Oscillating gear
13	E45-1401	Oscillating slider	45	F17-0001	Drive gear
14	351-0315	Oscillating slider screw	46	373-7802	Drive gear washer
15	341-9201	Rotor nut	47	631-6901	Ball bearing B
16	F32-0402	Rotor	48	F32-5901	Side cover
17	B67-9304	Line roller screw	49	B83-5002	Side cover screw
18	F31-0202	Bail arm	50	501-8501	Handle collar
19	B84-2102	Bail arm screw	51	B92-5001	Handle lock screw
20	F06-6301	Line roller collar	52	F32-5402	Handle assembly
21	E50-5901	Line roller bushing			
22	E50-6001	Line roller			
23	F32-5301	Bail assembly			
24	E45-1601	Bail trip, lever			
25	F12-8901	Bail spring			
26	F31-0302	Bail spring cover			
27	E24-8101	Bail spring cover screw			
28	F31-0402	Bail trip cover			