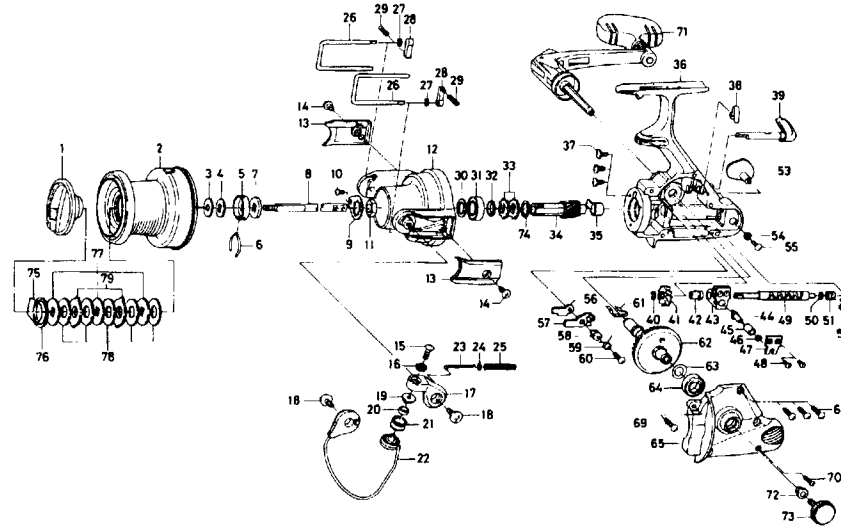


# SPINNING REEL EMBLEM EM-X5500H/EM-X6000H



Key No.	Parts No.	Parts Name	Key No.	Parts No.	Parts Name
2, 75-79	E53-1101	Spool assembly	49	E33-5901	Worm shaft
1	E53-0001	Drag knob	50	B41-1702	Worm shaft washer
2	E53-1201	Spool assembly	51	E43-6101	Worm shaft collar
3	E39-9201	Spool washer A	52	E43-6201	Worm shaft retainer
4	F04-3401	Spool washer B	53	F32-3301	Rear cover A
5	F20-4001	Click leaf spring holder	54	E15-3101	Rear cover washer
6	B74-7701	Spool click leaf spring	55	E33-0402	Rear cover screw
7	E26-7501	Main shaft washer	56	E43-2301	Anti-reverse pawl plate
a	E43-1501	Main shaft	57	E43-2001	Anti-reverse pawl
9	E33-3801	Rotor nut holding plate	58	E26-2101	Anti-reverse pawl collar
10	E15-7502	Rotor nut holding plate screw	59	E43-6301	Anti-reverse pawl spring A
11	B43-7605	Rotor nut	60	B83-5002	Anti-reverse pawl screw
12	F39-0401	Rotor	61	E26-4501	Anti-reverse pawl spring B
13	E43-2804	Bail spring cover	62	E43-3001	Drive gear
14	E10-7402	Bail spring cover screw	63	371-2821	Drive gear washer
15	E45-4004	Line roller screw	64	B54-6001	Ball bearing C
16	160-8401	Lock washer	65	F38-8701	Side cover
17	E45-3803	Bail arm	69	B00-9701	Side cover screw A
18	E00-7602	Bail arm screw	70	E15-8602	Side cover screw B
19	F08-8301	Line roller collar	71	E43-4201	Handle assembly
20	F05-5601	Ball bearing A	72	501-8401	Handle collar
21	F05-8901	Line roller	73	Z00-3767	Handle lock screw
22	E53-3701	Ball assembly	74	372-7603	Spacer
23	E32-6701	Bail spring shaft	75	170-4101	Drag washer retainer
24	E31-3901	Bail spring washer	76	F03-9701	Drag plate
25	E39-5901	Bail spring	77	F03-5101	Key washer
26	E43-1302	Line guard shaft	78	B36-0207	Drag washer
27	B33-9801	Line guard retainer	79	372-3832	Eared washer
28	E39-6201	Line guard plate	80	F32-3401	Rear Cover B
29	F06-3301	Line guard spring			
30	B27-0701	Bearing washer			
31	637-6101	Ball bearing B			
32	E43-6001	Spacing sleeve			
33	F04-3501	Anti-reverse ratchet			
34	E43-1602	Pinion gear			
35	E33-2101	Pinion collar			
36	F32-3101	Body assembly			
37	E03-7801	Bearing retainer screw			
38	E32-7801	Anti-reverse cam spring			
39	F03-5407	Anti-reverse lever			
40	320-5901	Worm shaft gear retainer			
41	E43-1801	Worm shaft gear			
42	E39-3501	Worm shaft bush			
43	E43-2901	Oscillating slider			
44	E26-4101	Oscillating pawl			
45	E26-4201	Oscillating pawl bush			
46	375-0801	Oscillating pawl washer			
47	E26-4301	Oscillating slider cover			
48	352-1501	Oscillating slider cover screw			

EM-X6000H Special parts		
2,75-79	E53-1401	Spool assembly
2	E53-1501	Spool assembly
12	F39-0501	Rotor
22	E53-3801	Bail assembly
36	F32-4301	Body assembly
65	F38-8901	Side cover