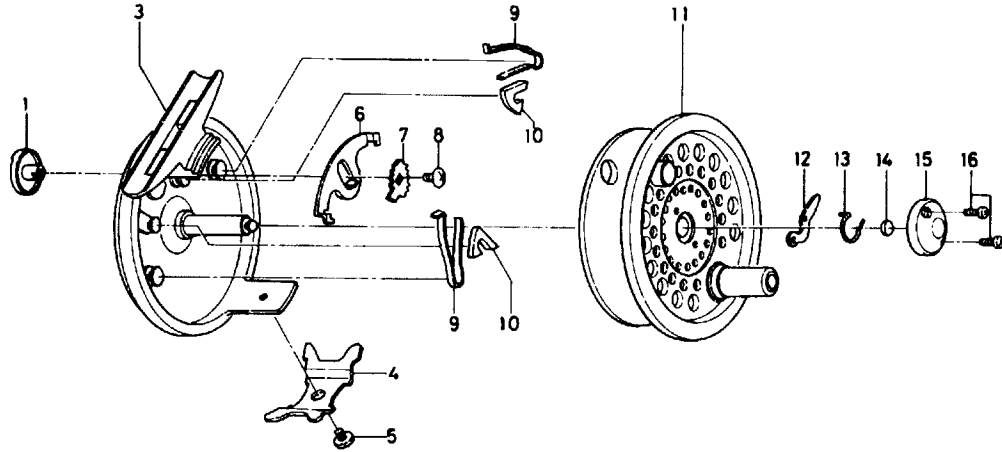


# FLY REEL LOCHMOR LM-X200/LM-X300



Key No.	Parts No.	Parts Name
1	B81-3802	Drag knob
3	F37-6101	Body assembly
4	F37-6401	Line guard
5	352-0601	Line guard screw
6	B03-1301	Click plate
7	B03-1401	Drag cam
8	352-0601	Drag knob screw
9	B36-5502	Click spring
10	B28-6001	Click pawl
11-16	F38-7401	Spool assembly
<b>X300</b>	<b>Special Parts</b>	
3	F37-8201	Body assembly
4	F37-7901	Line guard
11-16	F38-7501	Spool assembly