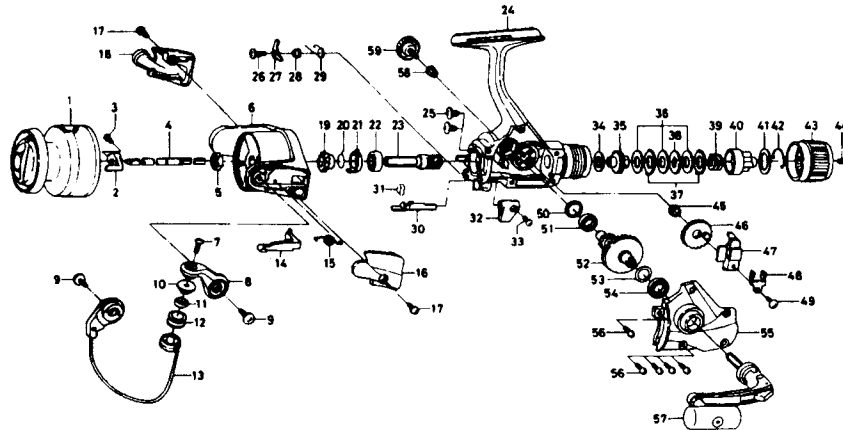


SPINNING REEL REGAL RG-Z2550BL



Key No.	Parts No.	Parts Name	Key No.	Parts No.	Parts Name
1	F33-7101	Spool assembly (Aluminum spool)	35	B83-3604	Click gear
	F35-8501	Spool assembly (Extra spool)	36	L10-9601	Drag washer 8
2	F19-6702	Spool metal	37	L10-9701	Eared washer
3	351-1001	Spool metal screw	38	L10-9801	Key washer
4	F19-5502	Main shaft	39	F06-2301	Drag coil spring
5	341-9201	Rotor nut	40	F19-5901	Drag collar
6	F32-0403	Rotor	41	L11-0001	Drag collar washer
7	B67-9304	Line roller screw	42	L08-5601	Drag washer spring
8	F31-0203	Bail arm	43	F33-7802	Drag knob
9	684-2102	Bail arm screw	44	E03-7802	Drag knob screw
10	F06-6301	Line roller collar	45	E29-9401	Oscillating gear collar
11	F05-5601	Ball bearing A	46	E45-1302	Oscillating gear
12	F05-8901	Line roller	47	F19-5401	Oscillating slider
13	F32-6201	Bail assembly	48	F19-5601	Oscillating slider retainer
14	E45-1601	Bail trip lever	49	350-8912	Oscillating slider screw
15	F12-8901	Bail spring	50	E50-5801	Bearing washer
16	F31-0303	Bail spring cover	51	E30-6801	Ball bearing C
17	E24-8101	Bail spring cover screw	52	F17-0001	Drive gear
18	F31-0403	Bail trip cover	53	373-7802	Drive gear washer
19	F31-1501	Anti-reverse ratchet	54	631-6901	Ball bearing D
20	F19-6301	Anti-reverse pawl spring A	55	F19-5710	Side cover
21	F19-6201	Spring holder	56	E15-8602	Side cover screw
22	L03-6601	Ball bearing B	57	F32-7002	Handle assembly
23	E51-9801	Pinion gear	58	501-8501	Handle collar
24	F19-4813	Body assembly	59	B92-5007	Handle lock screw
25	E03-7801	Bearing retainer screw			
26	E00-1801	Anti-reverse pawl screw			
27	F19-5301	Anti-reverse pawl			
28	L01-4302	Anti-reverse pawl collar			
29	L00-1501	Anti-reverse pawl spring B			
30	F19-5101	Anti-reverse cam			
31	F19-5201	Anti-reverse cam spring			
32	F19-4903	Anti-reverse lever			
33	B64-6602	Anti-reverse lever screw			
34	B48-9902	Drag washer A			