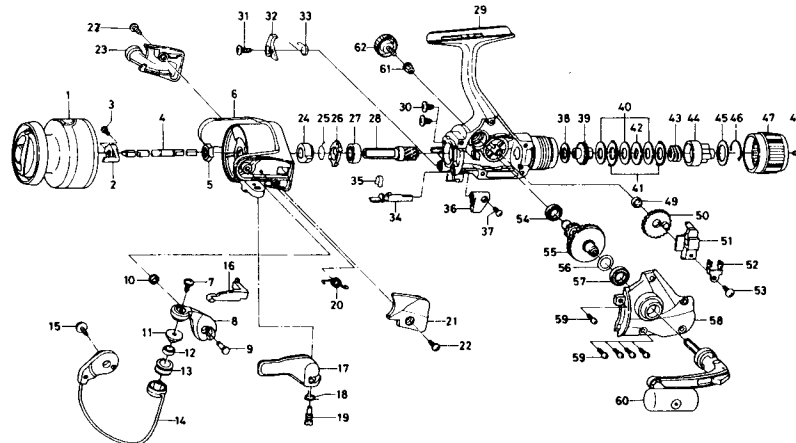


# SPINNING REEL REGAL RG-Z3555BL



Key No.	Parts No.	Parts Name	Key No.	Parts No.	Parts Name
1	F33-7501	Spool assembly (Aluminum spool)	33	F19-9801	Anti-reverse pawl spring B
	F35-9201	Spool assembly (Extra spool)	34	F19-5101	Anti-reverse cam
2	F20-1602	Spool metal	35	F19-5201	Anti-reverse cam spring
3	351-1001	Spool metal screw	36	F19-4903	Anti-reverse lever
4	F20-0102	Main shaft	37	B64-6602	Anti-reverse lever screw
5	340-6602	Rotor nut	38	B46-9505	Drag washer A
6	F33-3503	Rotor	39	L11-0701	Click gear
7	B67-9304	Line roller screw	40	L11-0801	Drag washer B
8	F17-9803	Bail arm	41	L11-0901	Eared washer
9	E49-3501	Bail arm screw	42	L11-1001	Key washer
10	320-5901	Bail arm screw retainer	43	F06-2301	Drag coil spring
11	F06-6301	Line roller collar	44	F20-0601	Drag collar
12	F05-5601	Ball bearing A	45	L11-0101	Drag collar washer
13	F05-8901	Line roller	46	L08-0701	Drag washer spring
14	F33-4001	Bail assembly	47	F33-7902	Drag knob
15	B84-2102	Bail trip cam screw	48	E03-7802	Drag knob screw
16	E46-2101	Bail trip lever	49	F13-1601	Oscillating gear collar
17	F18-0003	Trigger lever	50	E46-1501	Oscillating gear
18	E36-9901	Trigger spring	51	F19-9201	Oscillating slider
19	E37-0003	Trigger screw	52	F20-0201	Oscillating slider retainer
20	F12-8901	Bail spring	53	351-0901	Oscillating slider screw
21	F31-4503	Bail spring cover	54	631-6901	Ball bearing C
22	E24-8101	Bail spring cover screw	55	E52-0201	Drive gear
23	F31-4603	Bail trip cover	56	373-7802	Drive gear washer
24	F24-8901	Anti-reverse ratchet	57	631-6901	Ball bearing C
25	F20-1101	Anti-reverse pawl spring A	58	F20-0311	Side cover
26	F20-1001	Spring holder	59	E15-8602	Side cover screw
27	L03-6502	Ball bearing B	60	F33-5501	Handle assembly
28	E52-0101	Pinion gear	61	E12-7501	Handle collar
29	F20-0020	Body assembly	62	B92-5007	Handle lock screw
30	E03-7801	Bearing retainer screw			
31	E00-7101	Anti-reverse pawl screw			
32	F19-9901	Anti-reverse pawl			