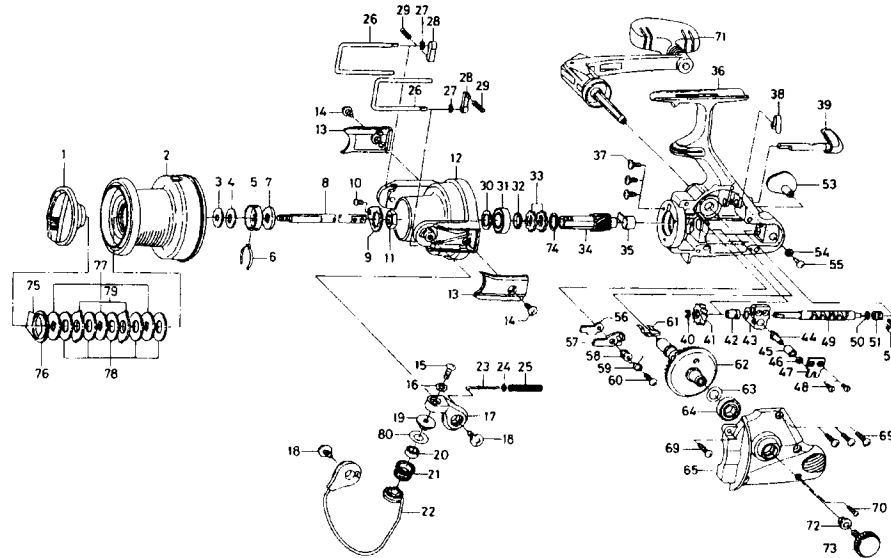


# SPINNING REEL **EMBLEM-X4500T/5000T**



Key No.	Parts No.	Parts Name
2,75-79	F52-7901	Spool assembly
1	F52-8001	Drag knob
2	F52-9501	Spool assembly
3	E39-9201	Spool washer A
4	F04-3401	Spool washer B
5	F20-4001	Click leaf spring holder
6	B74-7701	Spool click leaf spring
7	E26-7501	Main shaft washer
8	F52-1202	Main shaft
9	E33-3801	Rotor nut holding plate
10	E15-7502	Rotor nut holding plate screw
11	B43-7605	Rotor nut
12	F36-1109	Rotor
13	E39-6318	Bail spring cover
14	E10-7401	Bail spring cover screw
15	E45-4004	Line roller screw
16	160-8401	Lock washer
17	F47-2101	Bail arm
18	E00-7601	Bail arm screw
19	F44-6302	Line roller collar
20	F05-5601	Ball bearing A
21	F45-4902	Line roller
22	F47-2201	Bail assembly
23	E32-6701	Bail spring shaft
24	E31-3901	Bail spring washer
25	E39-5901	Bail spring
26	E39-6102	Line guard shaft
27	B33-9801	Line guard retainer
28	E39-6201	Line guard plate
29	F06-3301	Line guard spring
30	372-7603	Bearing washer
31	637-6101	Ball bearing B
32	F03-5001	Spacing sleeve
33	F04-3501	Anti-reverse ratchet
34	E39-0202	Pinion gear
35	E33-2101	Pinion collar
36	F52-7701	Body assembly
37	E03-7801	Bearing retainer screw
38	E32-7801	Anti-reverse cam spring
39	F03-5401	Anti-reverse lever
40	320-5901	Worm shaft gear retainer
41	F53-2701	Worm shaft gear
42	E39-3501	Worm shaft bush
43	E39-5101	Oscillating slider
44	E26-4101	Oscillating pawl
45	E26-4201	Oscillating pawl bush
46	375-0801	Oscillating pawl washer
47	F96-4301	Oscillating slider cover
48	352-1502	Oscillating slider cover screw

Key No.	Parts No.	Parts Name
49	E39-5201	Worm shaft
50	375-4102	Worm shaft washer
51	E19-1101	Worm shaft collar
52	F07-6901	Worm shaft retainer
53	F30-0106	Rear cover
54	E15-3101	Rear cover washer
55	E33-0402	Rear cover screw
56	F39-0901	Anti-reverse pawl plate
57	F38-5201	Anti-reverse pawl
58	E26-2101	Anti-reverse pawl collar
59	E26-2201	Anti-reverse pawl spring A
60	B83-5002	Anti-reverse pawl screw
61	E26-4501	Anti-reverse pawl spring B
62	E39-5301	Drive gear
63	371-2822	Drive gear washer
54	B54-6001	Ball bearing C
65	F52-7801	Side cover
69	B00-9701	Side cover screw A
70	E15-8602	Side cover screw B
71	F52-9401	Handle assembly
72	F40-9001	Handle collar
73	L00-9107	Handle lock screw
74	372-7603	Spacer
75	170-4101	Drag washer retainer
76	F03-9701	Drag plate
77	F03-5101	Key washer
78	B36-0207	Drag washer
79	372-3832	Eared washer
80	F44-6202	Line roller washer

### EM-X5000T Special parts

2,75-79	Parts No.	Parts Name
2	F53-2501	Spool assembly
2	F52-9601	Spool assembly
12	F36-1206	Rotor
22	F52-3601	Bail assembly
36	F52-8601	Body assembly
65	F52-8701	Side cover