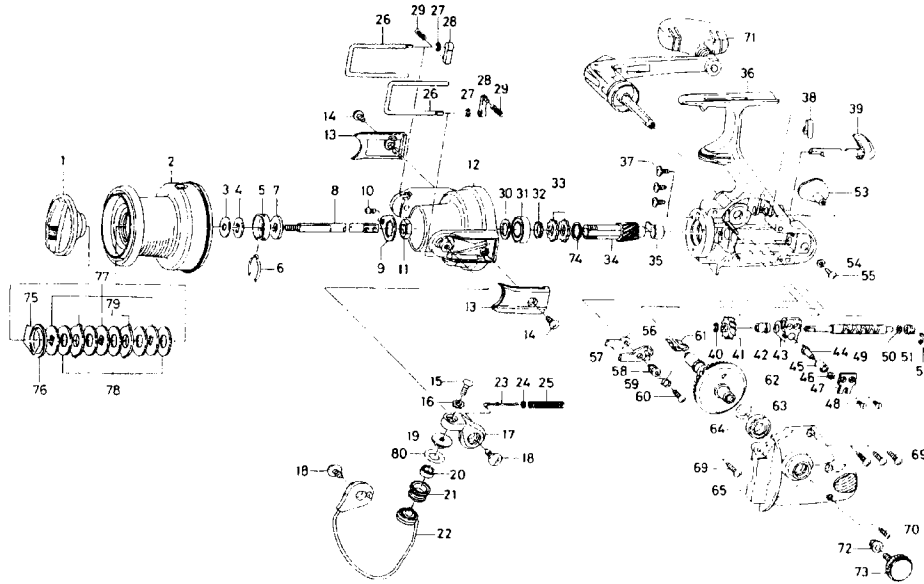


SPINNING REEL **EMBLEM-X5500T/6000T**



| Key No. | Parts No. | Parts Name |
|---------|-----------|--------------------------------|
| 2,75-79 | F52-9901 | Spool assembly |
| 1 | F52-8001 | Drag knob |
| 2 | F53-0001 | Spool assembly |
| 3 | E39-9201 | Spool washer A |
| 4 | F04-3401 | Spool washer B |
| 5 | F20-4001 | Click leaf spring holder |
| 6 | B74-7701 | Spool click leaf spring |
| 7 | E26-7501 | Main shaft washer |
| 8 | F52-0602 | Main shaft |
| 9 | E33-3801 | Rotor nut holding plate |
| 10 | E15-7502 | Rotor nut holding plate screw |
| 11 | B43-7605 | Rotor nut |
| 12 | F39-0405 | Rotor |
| 13 | E43-2808 | Bail spring cover |
| 14 | E10-7401 | Bail spring cover screw |
| 15 | E45-4004 | Line roller screw |
| 16 | 160-8401 | Lock washer |
| 17 | F47-2101 | Bail arm |
| 18 | E00-7601 | Bail arm screw |
| 19 | F44-6302 | Line roller collar |
| 20 | F05-5601 | Ball bearing A |
| 21 | F45-4902 | Line roller |
| 22 | F52-0201 | Bail assembly |
| 23 | E32-6701 | Bail spring shaft |
| 24 | E31-3901 | Bail spring washer |
| 25 | E39-5901 | Bail spring |
| 26 | E43-1302 | Line guard shaft |
| 27 | B33-9801 | Line guard retainer |
| 28 | E39-6201 | Line guard plate |
| 29 | F06-3301 | Line guard spring |
| 30 | 372-7603 | Bearing washer |
| 31 | 637-6101 | Ball bearing B |
| 32 | F43-6001 | Spacing sleeve |
| 33 | F04-3501 | Anti-reverse ratchet |
| 34 | E43-1602 | Pinion gear |
| 35 | E33-2101 | Pinion collar |
| 36 | F52-9701 | Body assembly |
| 37 | E03-7801 | Bearing retainer screw |
| 38 | E32-7801 | Anti-reverse cam spring |
| 39 | F03-5401 | Anti-reverse lever |
| 40 | 320-5901 | Worm shaft gear retainer |
| 41 | F43-1801 | Worm shaft gear |
| 42 | E39-3501 | Worm shaft bush |
| 43 | E43-2901 | Oscillating slider |
| 44 | F26-4101 | Oscillating pawl |
| 45 | E26-4201 | Oscillating pawl bush |
| 46 | 375-0801 | Oscillating pawl washer |
| 47 | E26-4301 | Oscillating slider cover |
| 48 | 352-1502 | Oscillating slider cover screw |

| Key No. | Parts No. | Parts Name |
|---------|-----------|----------------------------|
| 49 | E33-5901 | Worm shaft |
| 50 | B41-1701 | Worm shaft washer |
| 51 | E43-6101 | Worm shaft collar |
| 52 | E43-6201 | Worm shaft retainer |
| 53 | F32-3304 | Rear cover |
| 54 | E15-3101 | Rear cover washer |
| 55 | E33-0402 | Rear Cover screw |
| 56 | F43-2301 | Anti-reverse pawl plate |
| 57 | E43-2001 | Anti-reverse pawl |
| 58 | E26-2101 | Anti-reverse pawl collar |
| 59 | E43-6301 | Anti-reverse pawl spring A |
| 60 | B83-5002 | Anti-reverse pawl screw |
| 61 | F41-7401 | Anti-reverse pawl spring B |
| 62 | E43-3001 | Drive gear |
| 63 | 371-2822 | Drive gear washer |
| 64 | B54-6001 | Ball bearing C |
| 65 | F52-9801 | Side cover |
| 69 | B00-9701 | Side cover screw A |
| 70 | E15-8602 | Side cover screw B |
| 71 | F52-9402 | Handle assembly |
| 72 | F40-9001 | Handle collar |
| 73 | L00-9107 | Handle lock screw |
| 74 | 372-7603 | Spacer |
| 75 | 170-4101 | Drag washer retainer |
| 76 | F03-9701 | Drag plate |
| 77 | F03-5101 | Key washer |
| 78 | B36-0207 | Drag washer |
| 79 | 372-3832 | Eared washer |
| 80 | F44-6202 | Line roller washer |

EM-X6000T SPECIAL PARTS

| | | |
|---------|----------|-----------------|
| 2,75-79 | F53-1201 | Spool assembly |
| 2 | F53-1101 | Spool assembly |
| 12 | F39-0505 | Rotor |
| 22 | F52-4301 | Bail assembly |
| 34 | F43-1702 | Pinion gear |
| 36 | F53-1301 | Body assembly |
| 41 | E43-1901 | Worm shaft gear |
| 62 | E43-3101 | Drive gear |
| 65 | F53-1401 | Side cover |