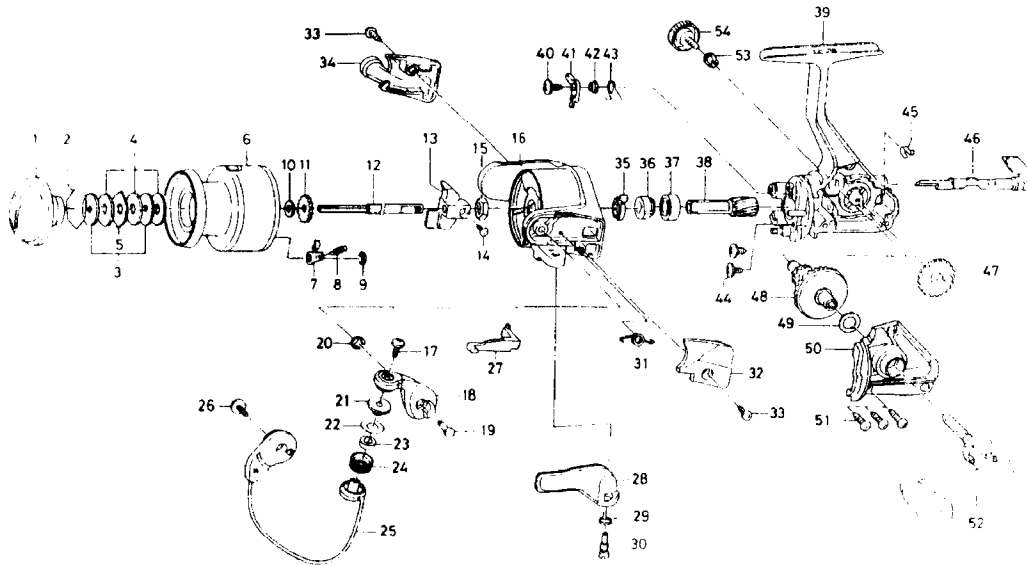


SPINNING REEL

REGAL-S1505T/2005T



Key No.	Parts No.	Parts Name
2-9	F49-7401	Spool assembly
1	F32-8508	Drag knob
2	F37-3301	Drag washer retainer
3	E46-7201	Key washer
4	E13-6001	Drag washer
5	373-3603	Eared washer
6	F49-7501	Spool assembly
7	B07-5304	Click pawl
8	E40-3101	Click spring
9	320-5901	Click retainer
10	E46-7101	Spool washer
11	270-6501	Click gear
12	F46-0801	Main shaft
13	F12-2301	Oscillating slider
14	351-0311	Oscillating slider screw
15	341-9201	Rotor nut
16	F33-1408	Rotor assembly
17	B67-9309	Line roller screw
18	F47-3803	Bail arm
19	E49-3501	Bail arm screw
20	320-5901	Bail arm screw retainer
21	F44-6302	Line roller collar
22	F44-6201	Line roller washer
23	F47-3401	Line roller bushing
24	F45-4901	Line roller
25	F49-1801	Bail assembly
26	B84-2102	Bail trip cam screw
27	E49-6401	Bail trip lever
28	E49-3409	Trigger lever
29	E36-9901	Trigger spring
30	E37-0002	Trigger screw
31	E49-6801	Bail spring
32	F32-4108	Bail spring cover
33	E24-8102	Bail spring cover screw

Key No.	Parts No.	Parts Name
34	F32-6508	Bail trip cover
35	F12-2101	Anti-reverse pawl spring A
36	E49-8501	Anti-reverse ratchet
37	634-1301	Ball bearing A
38	F12-1601	Pinion gear
39	F49-8803	Body assembly
40	F12-5701	Anti-reverse pawl screw
41	F12-1901	Anti-reverse pawl
42	F12-3501	Anti-reverse pawl collar
43	F12-3401	Anti-reverse pawl spring B
44	E03-7801	Bearing retainer screw
45	F12-2001	Anti-reverse cam spring
46	F08 5104	Anti reverse lever
47	F12-2201	Oscillating gear
48	F12-1501	Drive gear
49	375-8507	Drive gear washer
50	F49-1302	Side cover
51	E15-8601	Side cover screw
52	F51-0501	Handle assembly
53	F40-4801	Handle collar
54	B92-5009	Handle lock screw

S2005T SPECIAL PARTS

Key No.	Parts No.	Parts Name
2-9	F49-7601	Spool assembly
6	F49-7701	Spool assembly
16	F39-9808	Rotor assembly
25	F49-2401	Bail assembly
27	E49-6501	Bail trip lever
39	F49-8804	Body assembly
50	F49-1304	Side cover