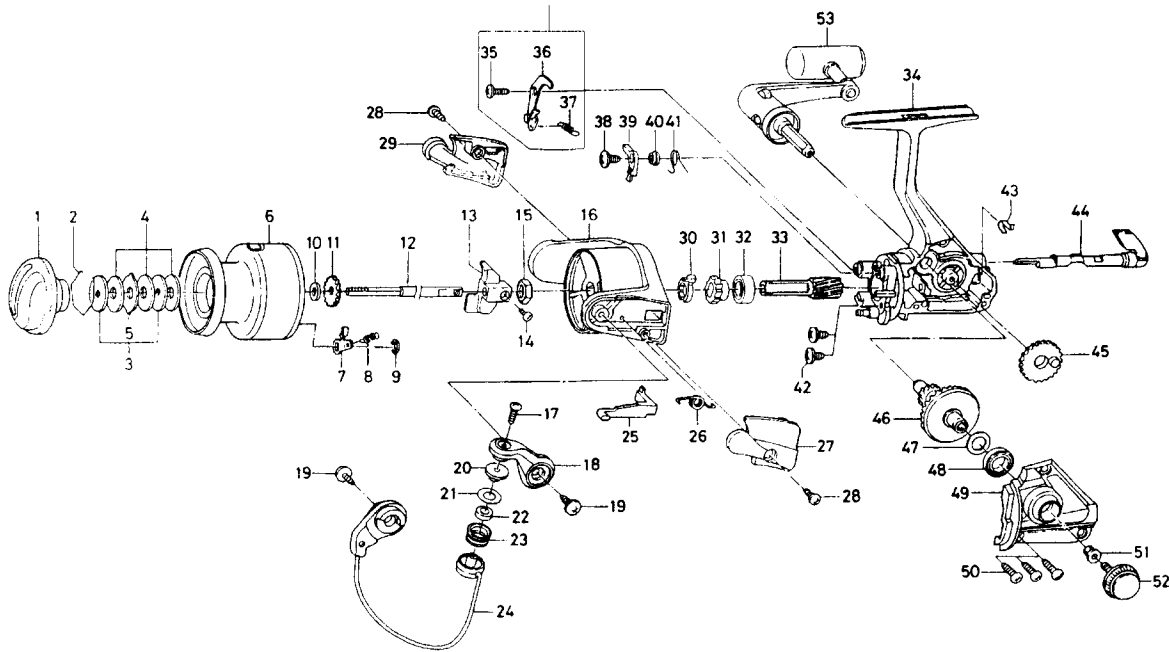


# SPINNING REEL

# REGAL-X1500T/2000T



Key No.	Parts No.	Parts Name
2-9	F49-0601	Spool assembly
1	F32-8506	Drag knob
2	F37-3301	Drag washer retainer
3	E46-7201	Key washer
4	E13-6001	Drag washer
5	373-3603	Eared washer
6	F49-0701	Spool assembly
7	B07-5304	Click pawl
8	E40-3101	Click spring
9	320-5901	Click retainer
10	E46-7101	Spool washer
11	270-6501	Click gear
12	F46-0801	Main shaft
13	F12-2301	Oscillating slider
14	351-0311	Oscillating slider screw
15	341-9201	Rotor nut
16	F32-7805	Rotor assembly
17	B67-9308	Line roller screw
18	F46-1102	Bail arm
19	B84-2102	Bail arm screw
20	F44-6302	Line roller collar
21	F44-6201	Line roller washer
22	F47-3401	Line roller bushing
23	F45-4902	Line roller
24	F49-0501	Bail assembly
25	E49-6401	Bail trip lever
26	E49-6801	Bail spring
27	F32-4205	Bail spring cover
28	E24-8101	Bail spring cover screw
29	F32-6305	Bail trip cover
30	F12-2101	Anti-reverse pawl spring A
31	F32-7701	Anti-reverse ratchet

Key No.	Parts No.	Parts Name
32	634-1301	Ball bearing A
33	F12-1601	Pinion gear
34	F49-0801	Body assembly
38	F12-5701	Anti-reverse pawl screw
39	F12-1901	Anti-reverse pawl
40	F12-3501	Anti-reverse pawl collar
41	F12-3401	Anti-reverse pawl spring B
42	E03-7801	Bearing retainer screw
43	F12-2001	Anti-reverse cam spring
44	F08-5122	Anti-reverse lever
45	F12-2201	Oscillating gear
46	F12-1501	Drive gear
47	375-8507	Drive gear washer
48	634-1301	Ball bearing B
49	F49-0401	Side cover
50	E15-8602	Side cover screw
51	F40-4801	Handle collar
52	B92-5011	Handle lock screw
53	F50-7501	Handle assembly

### X2000T SPECIAL PARTS

Key No.	Parts No.	Parts Name
2-9	F49-2001	Spool assembly
6	F49-2101	Spool assembly
16	F33-1805	Rotor assembly
24	F49-1901	Bail assembly
25	E49-6501	Bail trip lever
34	F49-0802	Body assembly
49	F49-0403	Side cover