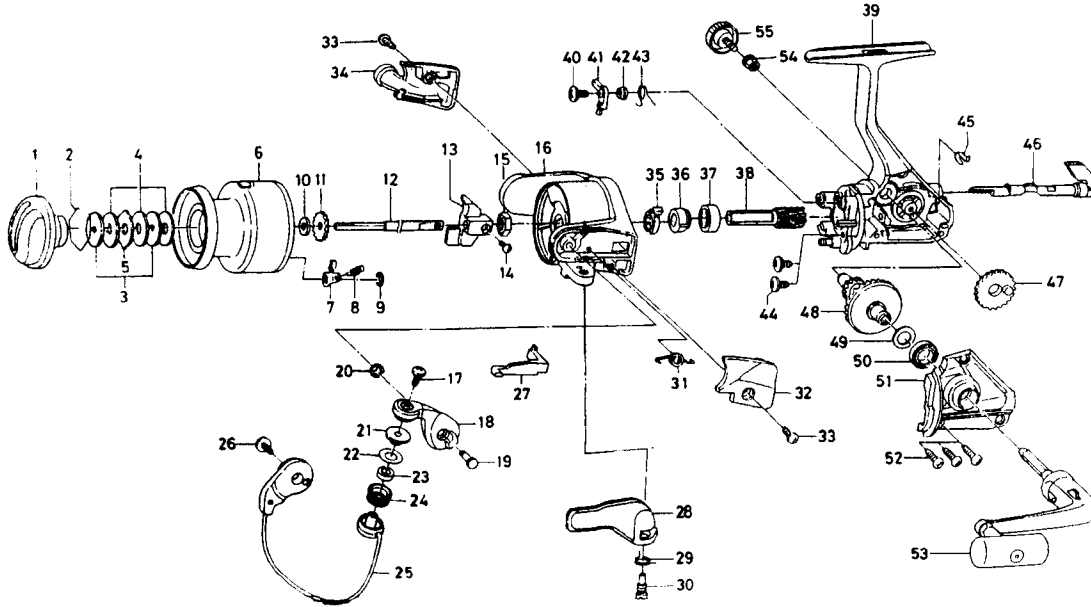


# SPINNING REEL REGAL-X1505T/2005T



Key No.	Parts No.	Parts Name	Key No.	Parts No.	Parts Name
2-9	F49-0601	Spool assembly	35	F12-2101	Anti-reverse ratchet A/R pawl
1	F32-8506	Drag knob	36	E49-8501	Spring holder
2	F37-3301	Drag washer retainer	37	634-1301	Ball bearing A
3	E46-7201	Key washer	38	F12-1601	Pinion gear
4	E13-6001	Drag washer	39	F49-0302	Body assembly
5	373-3603	Eared washer	40	F12-5701	Anti-reverse pawl screw
6	F49-0701	Spool assembly	41	F12-1901	Anti-reverse pawl
7	B07-5304	Click pawl	42	F12-3501	Anti-reverse pawl collar
8	E40-3101	Click spring	43	F12-3401	Anti-reverse pawl spring B
9	320-5901	Click retainer	44	E03-7801	Bearing retainer screw
10	E46-7101	Spool washer	45	F12-2001	Anti-reverse cam spring
11	270-6501	Click gear	46	F08-5122	Anti-reverse lever
12	F46-0801	Main shaft	47	F12-2201	Oscillating gear
13	F12-2301	Oscillating slider	48	F12-1501	Drive gear
14	351-0311	Oscillating slider screw	49	375-8507	Drive gear washer
15	341-9201	Rotor nut	50	634-1301	Ball bearing B
16	F33-1406	Rotor assembly	51	F49-0402	Side cover
17	B67-9308	Line roller screw	52	E15-8602	Side cover screw
18	F47-3802	Bail arm	53	F50-7501	Handle assembly
19	E49-3501	Bail arm screw	54	F40-4801	Handle collar
20	320-5901	Bail arm screw retainer	55	B92-5011	Handle lock screw
21	F44-6302	Line roller collar			
22	F44-6201	Line roller washer			
23	F47-3401	Line roller bushing			
24	F45-4902	Line roller			
25	F49-0901	Bail assembly			
26	B84-2102	Bail trip cam screw			
27	E49-6401	Bail trip lever			
28	E49-3408	Trigger lever			
29	E36-9901	Trigger spring			
30	E37-0002	Trigger screw			
31	E49-6801	Bail spring			
32	F32-4106	Bail spring cover			
33	E24-8101	Bail spring cover screw			
34	F32-6506	Bail trip cover			

X2005T SPECIAL PARTS		
Key No.	Parts No.	Parts Name
2-9	F49-2001	Spool assembly
6	F49-2101	Spool assembly
16	F39-9806	Rotor assembly
25	F49-2201	Bail assembly
27	E49-6501	Bail trip lever
39	F49-0304	Body assembly
51	F49-0404	Side cover