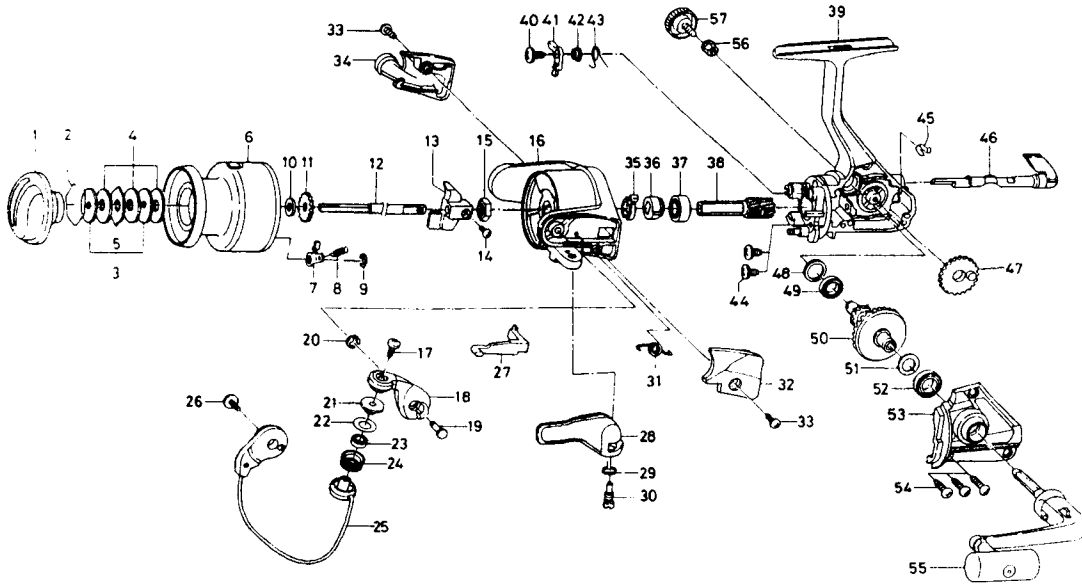


# SPINNING REEL REGAL-Z1505T/2005T



**Key No.**

Key No.	Parts No.	Parts Name
2-9	F46-1501	Spool assembly
1	F32-8505	Drag knob
2	F37-3301	Drag washer retainer
3	E46-7201	Key washer
4	E13-6001	Drag washer
5	373-3603	Eared washer
6	F46-1601	Spool assembly
7	B07-5304	Click pawl
8	E40-3101	Click spring
9	320-5901	Click retainer
10	E46-7101	Spool washer
11	270-6501	Click gear
12	F46-0801	Main shaft
13	F12-2301	Oscillating slider
14	351-0311	Oscillating slider screw
15	341-9201	Rotor nut
16	F33-1405	Rotor assembly
17	B67-9308	Line roller screw
18	F47-3801	Bail arm
19	E49-3501	Bail arm screw
20	320-5901	Bail arm screw retainer
21	F44-6302	Line roller collar
22	F44-6201	Line roller washer
23	F05-5601	Ball bearing A
24	F45-4902	Line roller
25	F47-3901	Bail assembly
26	B84-2102	Bail arm screw
27	E49-6401	Bail trip lever
28	E49-3407	Trigger lever
29	E36-9901	Trigger spring
30	E37-0002	Trigger screw
31	E49-6801	Bail spring
32	F32-4105	Bail spring cover
33	E24-8101	Bail spring cover screw
34	F32-6505	Bail trip cover

**Key No.**

Key No.	Parts No.	Parts Name
35	F12-2101	Anti-reverse pawl spring
36	E49-8501	Anti-reverse ratchet
37	634-1301	Ball bearing B
38	F12-1601	Pinion gear
39	F47-3303	Body assembly
40	F12-5701	Anti-reverse pawl screw
41	F12-1901	Anti-reverse pawl
42	F12-3501	Anti-reverse pawl collar
43	F12-3401	Anti-reverse pawl spring
44	E03-7801	Bearing retainer screw
45	F12-2001	Anti-reverse cam spring
46	F08-5123	Anti-reverse lever
47	F12-2201	Oscillating gear
48	E50-5801	Bearing washer
49	E30-6801	Ball bearing C
50	F12-1501	Drive gear
51	375-8507	Drive gear washer
52	634-1301	Ball bearing
53	F46-0902	Side cover
54	E15-8602	Side cover screw
55	F50-7401	Handle assembly
56	F40-4801	Handle collar
57	B92-5010	Handle lock screw

**Z2005T SPECIAL PARTS**

Key No.	Parts No.	Parts Name
2-9	F47-4301	Spool assembly
6	F47-4401	Spool assembly
16	F39-9805	Rotor assembly
25	F47-8201	Bail assembly
27	E49-6501	Bail trip lever
39	F12-1414	Body assembly
53	F46-0904	Side cover