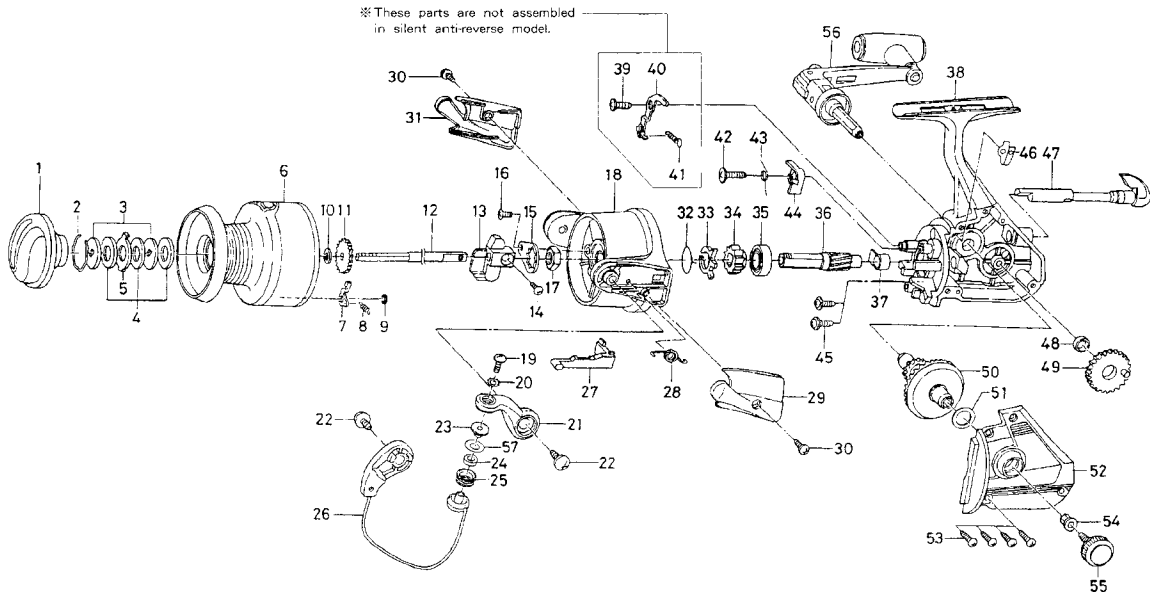


SPINNING REEL

RG-S4500T/S5000T



RG-S4500T

KEY NO.	PART NO.	PART NAME
2-9	F54-4301	SPOOL
1	F36-9806	DRAG KNOB
2	171-7701	DRAG WASHER RET
3	L03-1301	KEY WASHER
4	373-3711	DRAG WASHER
5	B89-9501	EARED WASHER
7	B07-8201	CLICK PAWL
8	145-2101	CLICK SPRING
9	320-1402	CLICK RET
10	F09-4701	SPOOL WASHER
11	L02-1401	CLICK GEAR
12	L10-7301	MAIN SHAFT
13	L10-6601	OSC SLIDER
14	351-8901	OSC SLIDER SCREW
15	F58-9801	ROTOR NUT HOLD PLT
16	L01-1702	ROTOR NUT HOLD PLT SCREW
17	340-8301	ROTOR NUT
18	F36-8706	ROTOR
19	F60-7302	LINE ROLLER SCREW
21	F36-9006	BAIL ARM
22	E00-7601	BAIL ARM SCREW
23	F44-6302	LINE ROLLER COLLAR
24	F47-3401	LINE ROLLER BUSHING
25	F45-4901	LINE ROLLER
26	F57-0401	BAIL
27	L10-6901	BAIL TRIP LEVER
28	F60-8001	BAIL SPRING
29	F36-9106	BAIL SPRING COVER
30	E24-8102	BAIL SPRING COVER SCREW
31	F36-9506	BAIL TRIP COVER
32	F21-2001	A/R PAWL SPRING A
33	L06-6801	A/R PAWL SPRING B
34	F36-8501	A/R RATCHET
35	L03-6401	BALL BEARING
36	L10-7701	PINION GEAR
37	B88-0001	PINION COLLAR

RG-S4500T

KEY NO.	PART NO.	PART NAME
38	E53-8701	BODY
42	L06-6501	A/R PAWL SCREW
43	L13-7201	A/R PAWL SPRING C
44	L06-6301	A/R PAWL
45	L01-1601	BEARING RET SCREW
46	E01-1801	A/R CAM SPRING
47	L10-0701	A/R LEVER
48	B47-4101	OSC GEAR COLLAR
49	L11-7001	OSC GEAR
50	B78-9501	DRIVE GEAR
51	371-2824	DRIVE GEAR WASHER
52	E53-8801	SIDE COVER
53	B83-5001	SIDE COVER SCREW
54	F40-9001	HANDLE COLLAR
55	L00-9102	HANDLE SCREW
56	F44-0303	HANDLE
57	F44-6202	LINE ROLLER WASHER

S5000T SPECIAL PARTS

KEY NO.	PART NO.	PART NAME
2-9	F54-4901	SPOOL
18	F37-1106	ROTOR
26	F57-0601	BAIL
27	L10-7101	BAIL TRIP LEVER
38	E53-8901	BODY
52	E53-8802	SIDE COVER