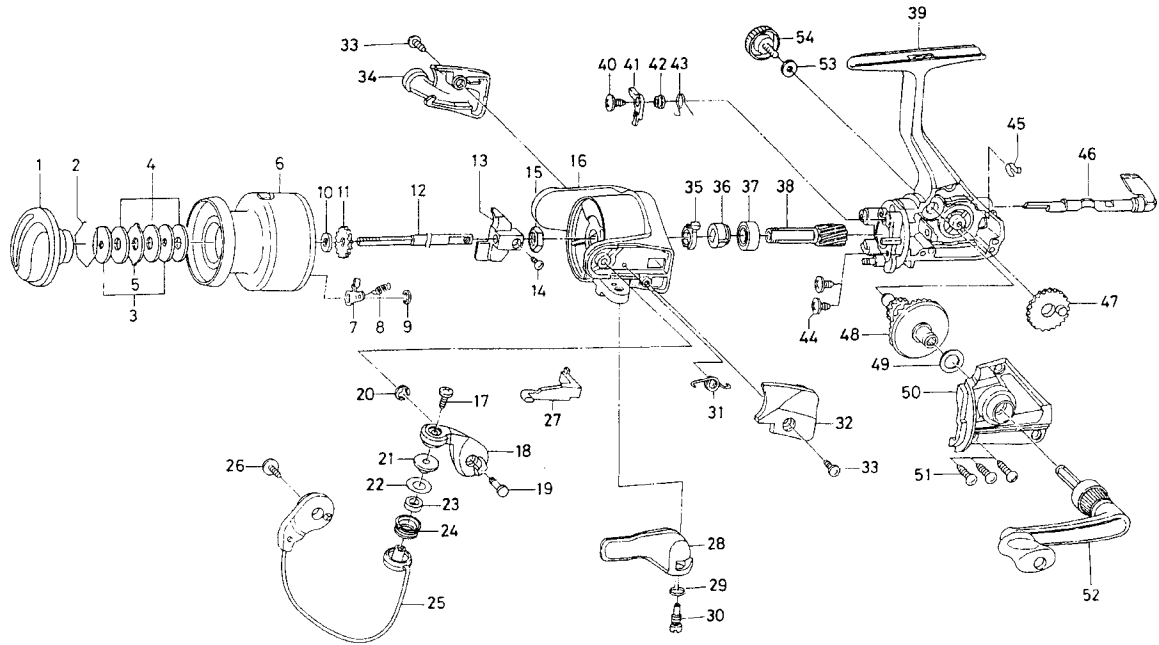


JUPITER-X2505T



Key No. Parts No.

Parts Name

2-9	F61-0701	SPOOL
1	F32-2106	DRAG KNOB
2	171-7701	DRAG WASHER RET
3	E46-7201	KEY WASHER
4	E13-6003	DRAG WASHER
5	373-3603	EARED WASHER
7	B07-5304	CLICK PAWL
8	E40-3101	CLICK SPRING
9	320-5901	CLICK RET
10	E46-7101	SPOOL WASHER
11	270-6501	CLICK GEAR
12	F61-9401	MAIN SHAFT
13	F39-5801	OSC SLIDER
14	351-0315	OSC SLIDER SCREW
15	341-9201	ROTOR NUT
16	F31-0113	ROTOR
17	B67-9305	LINE ROLLER SCREW
18	F61-9302	BAIL ARM
19	E49-3501	BAIL ARM SCREW
20	320-5901	BAIL ARM SCREW RET
21	F44-6302	LINE ROLLER COLLAR
22	F44-6202	LINE ROLLER WASHER
23	F47-3401	LINE ROLLER BUSHING
24	F45-4901	LINE ROLLER
25	F61-9702	BAIL
26	B84-2102	BAIL HOLDER SCREW
27	E45-1601	BAIL TRIP LEVER

Key No. Parts No.

Parts Name

28	F18-0007	TRIGGER LEVER
29	E36-9901	TRIGGER SPRING
30	E37-0001	TRIGGER SCREW
31	F12-8901	BAIL SPRING
32	F31-0510	BAIL SPRING COVER
33	E36-4201	BAIL SPRING COVER SCREW
34	F31-0610	BAIL TRIP COVER
35	E38-5501	SPRING HOLDER
36	E49-2401	A/R RATCHET
37	L03-6601	BALL BEARING
38	L01-3902	PINION GEAR
39	F61-0502	BODY
40	L00-1801	A/R PAWL SCREW
41	L01-4401	A/R PAWL
42	L01-4302	A/R PAWL COLLAR
43	L00-1501	A/R PAWL SPRING
44	E03-7801	BEARING RET SCREW
45	F38-5901	A/R CAM SPRING
46	F08-5110	A/R LEVER
47	F60-6001	OSC GEAR
48	F08-4801	DRIVE GEAR
49	373-7802	DRIVE GEAR WASHER
50	F61-0602	SIDE COVER
51	B83-5001	SIDE COVER SCREW
52	E49-3801	HANDLE
53	B92-4902	HANDLE LOCK WASHER
54	B92-5004	HANDLE LOCK SCREW