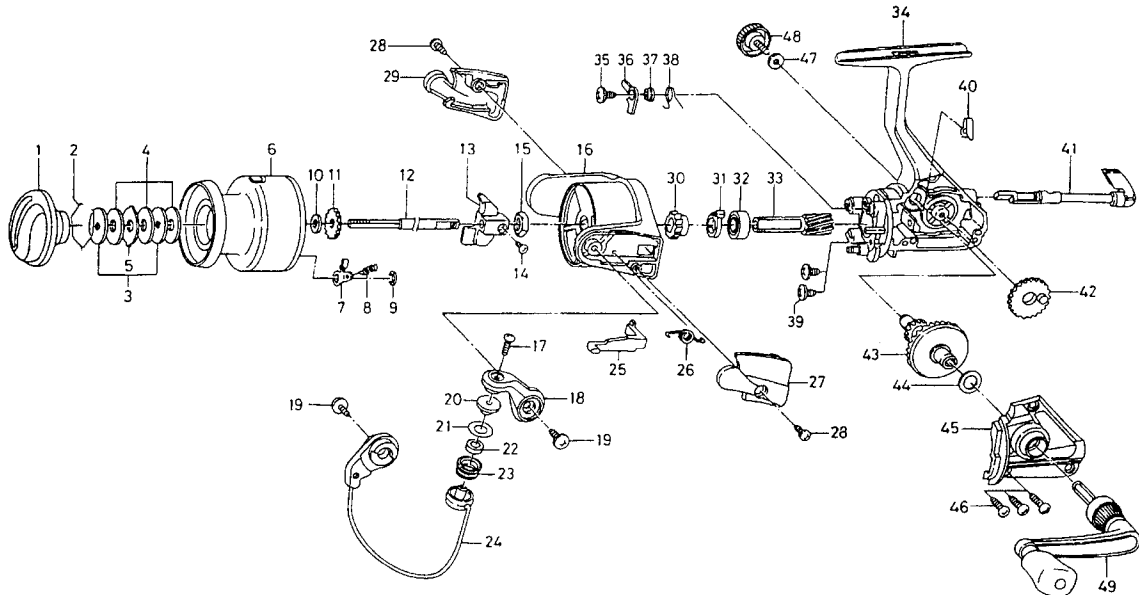


JUPITER-Z1500T



Key No.	Parts No.	Parts Name
2-9	F61-4101	SPOOL
1	F32-8504	DRAG KNOB
2	F37-3301	DRAG WASHER RET
3	E46-7201	KEY WASHER
4	E13-6001	DRAG WASHER
5	373-3603	EARED WASHER
7	B07-5304	CLICK PAWL
8	E40-3101	CLICK SPRING
9	320-5901	CLICK RET
10	E46-7101	SPOOL WASHER
11	270-6501	CLICK GEAR
12	F46-0801	MAIN SHAFT
13	F12-2301	OSC SLIDER
14	351-0311	OSC SLIDER SCREW
15	341-9201	ROTOR NUT
16	F32-0903	ROTOR
17	B67-9308	LINE ROLLER SCREW
18	F46-1101	BAIL ARM
19	B84-2102	BAIL ARM SCREW
20	F44-6302	LINE ROLLER COLLAR
21	F44-6202	LINE ROLLER WASHER
22	F47-3401	LINE ROLLER BUSHING
23	F45-4901	LINE ROLLER
24	F62-0101	BAIL
25	E49-6401	BAIL TRIP LEVER

Key No.	Parts No.	Parts Name
26	E49-6801	BAIL SPRING
27	F32-4211	BAIL SPRING COVER
28	E24-8101	BAIL SPRING COVER SCREW
29	F32-6309	BAIL TRIP COVER
30	F12-2101	SPRING HOLDER
31	F32-7701	A/R RATCHET
32	634-1301	BALL BEARING
33	F12-1601	PINION GEAR
34	F61-3701	BODY
35	F12-5701	A/R PAWL SCREW
36	F12-1901	A/R PAWL
37	F12-3501	A/R PAWL COLLAR
38	F12-3401	A/R PAWL SPRING
39	E03-7801	BEARING RET SCREW
40	F12-2001	A/R CAM SPRING
41	F08-5128	A/R LEVER
42	F12-2201	OSC GEAR
43	F12-1501	DRIVE GEAR
44	375-8502	DRIVE GEAR WASHER
45	F61-3801	SIDE COVER
46	E15-8602	SIDE COVER SCREW
47	F02-0202	HANDLE LOCK WASHER
48	F67-6502	HANDLE LOCK SCREW
49	E49-7402	HANDLE