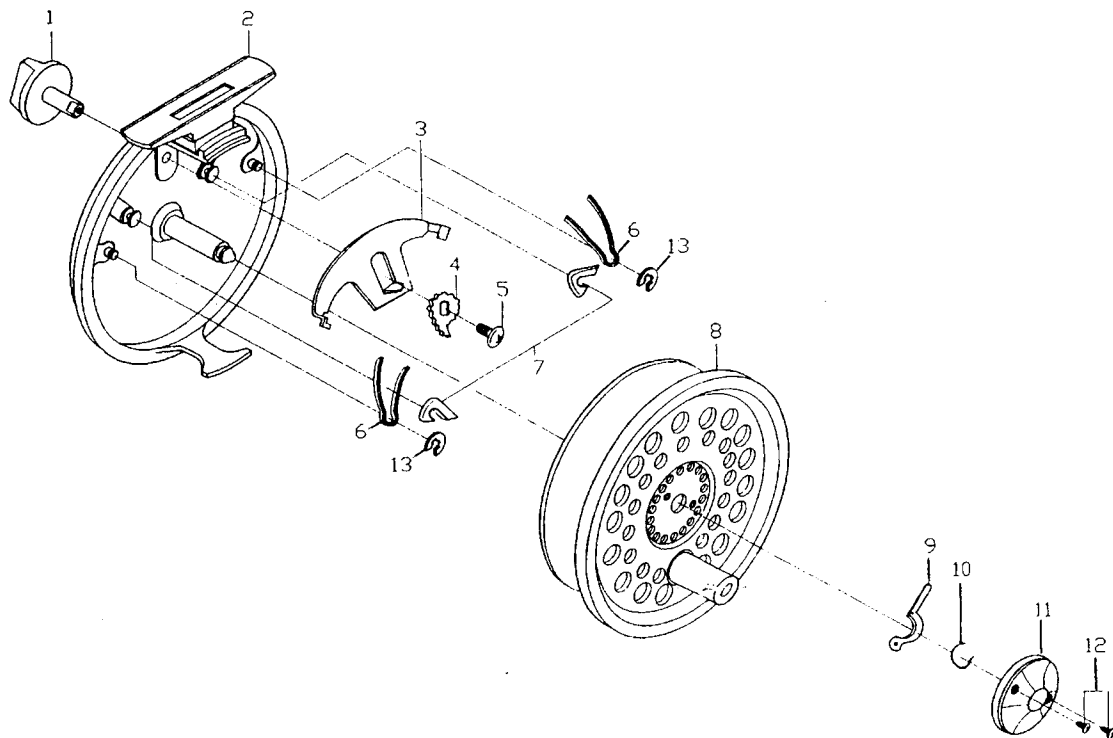


LOCHMOR-S100 / S200



Key No. Parts No. Parts Name

1	B83-8201	DRAG KNOB
2	F69-4001	BODY
3	F54-9401	CLICK PLT
4	F54-9501	DRAG CAM
5	F50-5701	DRAG KNOB SCREW
6	F67-1801	DRAG SPRING
7	B28-6001	CLICK PAWL
8-12	F67-1901	SPOOL
13	320-1402	CLICK RET

LM-S200

Key No. Parts No. Parts Name

2	F69-4201	BODY
8-12	F67-2801	SPOOL