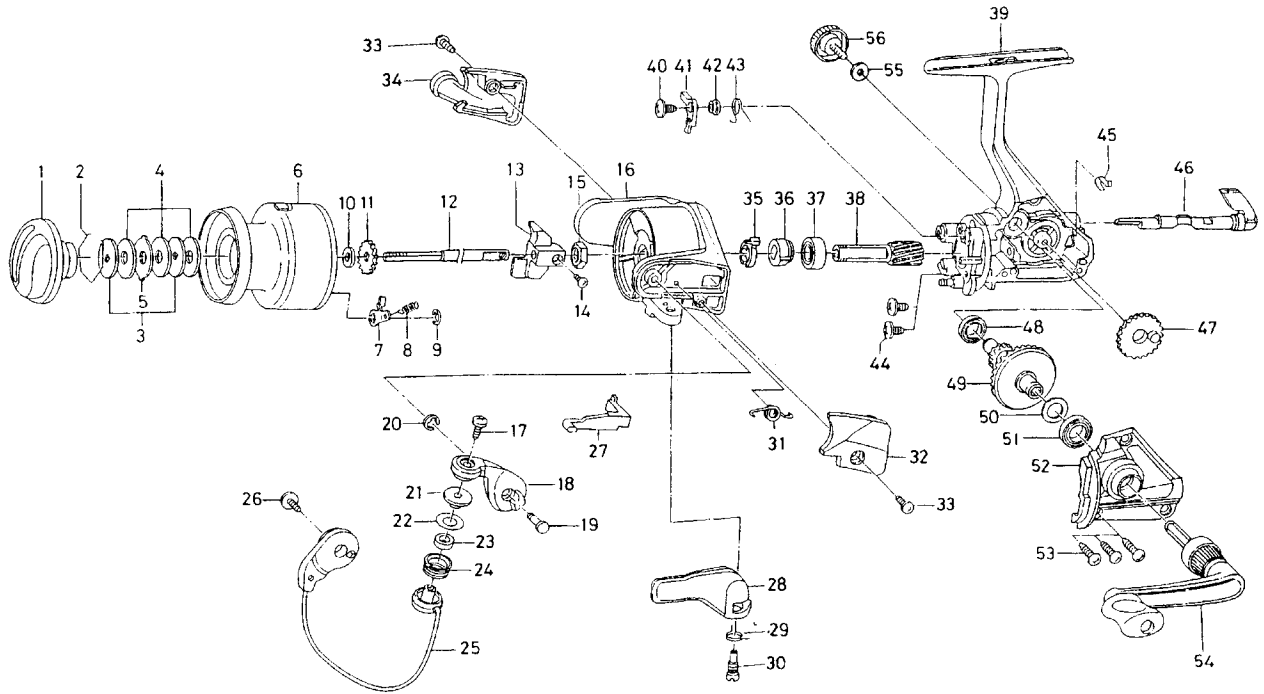


JUPITER-Z1505T-3B



Key No.	Parts No.	Parts Name	Key No.	Parts No.	Parts Name
2-9	F71-9001	SPOOL	29	E36-9901	TRIGGER SPRING
1	F32-8501	DRAG KNOB	30	E37-0002	TRIGGER SCREW
2	F37-3301	DRAG WASHER RET	31	E49-6801	BAIL SPRING
3	E46-7201	KEY WASHER	32	F32-4109	BAIL SPRING COVER
4	E13-6001	DRAG WASHER	33	E24-8101	BAIL SPRING COVER SCREW
5	373-3603	EARED WASHER	34	F32-6509	BAIL TRIP COVER
7	B07-5304	CLICK PAWL	35	F12-2101	SPRING HOLDER
8	E40-3101	CLICK SPRING	36	E49-8501	A/R RATCHET
9	320-5901	CLICK RET	37	634-1301	BALL BEARING A
10	E46-7101	SPOOL WASHER	38	F12-1601	PINION GEAR
11	270-6501	CLICK GEAR	39	F71-7202	BODY
12	F46-0801	MAIN SHAFT	40	F12-5701	A/R PAWL SCREW
13	F12-2301	OSC SLIDER	41	F12-1901	A/R PAWL
14	351-0311	OSC SLIDER SCREW	42	F12-3501	A/R PAWL COLLAR
15	341-9201	ROTOR NUT	43	F12-3401	A/R PAWL SPRING
16	F32-1410	ROTOR	44	E03-7801	BEARING RET SCREW
17	B67-9308	LINE ROLLER SCREW	45	F12-2001	A/R CAM SPRING
18	F47-3801	BAIL ARM	46	F08-5128	A/R LEVER
19	E49-3501	BAIL ARM SCREW	47	F12-2201	OSC GEAR
20	320-5901	BAIL ARM SCREW RET	48	E30-6801	BALL BEARING B
21	F44-6302	LINE ROLLER COLLAR	49	F12-1501	DRIVE GEAR
22	F44-6202	LINE ROLLER WASHER	50	375-8502	DRIVE GEAR WASHER
23	F47-3401	LINE ROLLER BUSHING	51	634-1301	BALL BEARING C
24	F45-4901	LINE ROLLER	52	F71-7302	SIDE COVER
25	F60-4702	BAIL	53	E15-8602	SIDE COVER SCREW
26	B84-2102	BAIL ARM SCREW	54	F71-7401	HANDLE
27	E49-6401	BAIL TRIP LEVER	55	F02-0202	HANDLE LOCK SCREW WASHER
28	E49-3410	TRIGGER LEVER	56	F67-6502	HANDLE LOCK SCREW