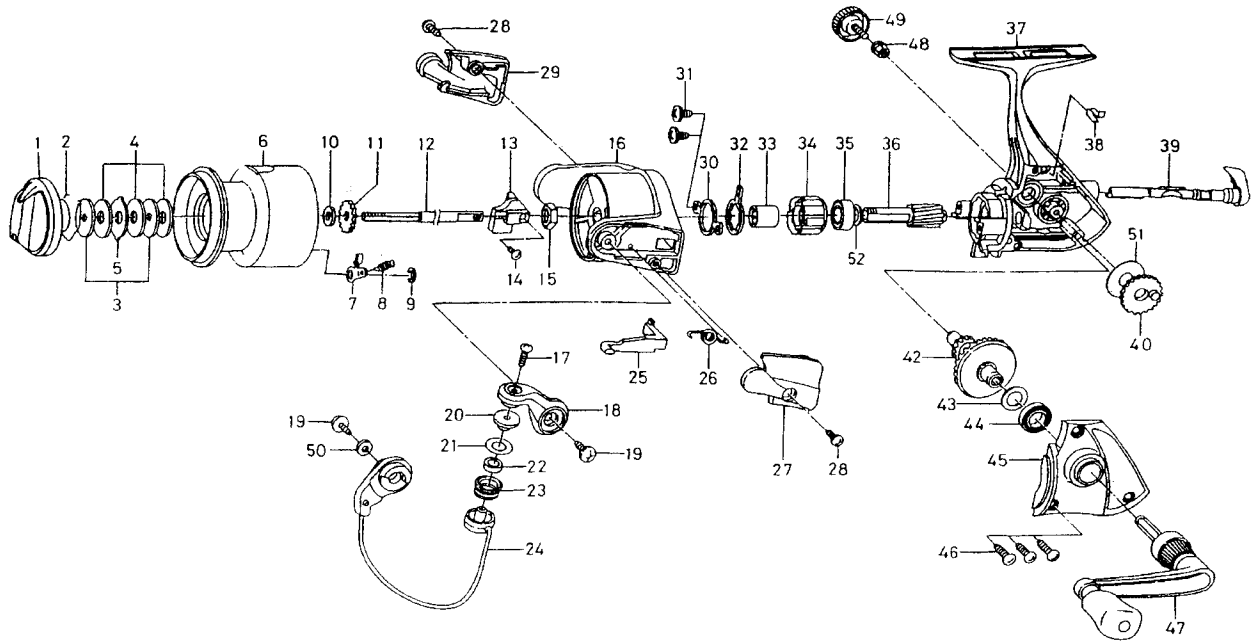


REGAL-S2500iA

Please order by part number, not key number



Key No.	Parts No.	Parts Name	Key No.	Parts No.	Parts Name
2-9	F74-1001	SPOOL	27	F31-0321	BAIL SPRING COVER
1	F77-7605	DRAG KNOB	28	E36-4202	BAIL SPRING COVER SCREW
2	F37-3301	DRAG WASHER RET	29	F35-2301	BAIL TRIP COVER
3	E46-7201	KEY WASHER	30	F67-7301	BEARING RET
4	E13-6001	DRAG WASHER	31	E33-0402	BEARING RET SCREW
5	373-3603	EARED WASHER	32	F62-2201	ROLLER CLUTCH RET
7	B07-5304	CLICK PAWL	33	F67-7201	SPACING SLEEVE
8	E40-3101	CLICK SPRING	34	F62-2001	ROLLER CLUTCH
9	320-5901	CLICK RET	35	L03-6601	BALL BEARING A
10	E46-7101	SPOOL WASHER	36	F67-7101	PINION GEAR
11	270-6501	CLICK GEAR	37	F72-0302	BODY
12	F45-4501	MAIN SHAFT	38	F12-2001	A/R CAM SPRING
13	F67-7502	OSC SLIDER	39	F67-6906	A/R LEVER
14	351-0315	OSC SLIDER SCREW	40	F67-7401	OSC GEAR
15	F33-6102	ROTOR NUT	42	F17-0001	DRIVE GEAR
16	F41-6316	ROTOR	43	373-7808	DRIVE GEAR WASHER
17	F67-7901	LINE ROLLER SCREW	44	631-6901	BALL BEARING B
18	F45-2302	BAIL ARM	45	F71-7002	SIDE COVER
19	B84-2102	BAIL ARM SCREW	46	B00-9701	SIDE COVER SCREW
20	F44-6302	LINE ROLLER COLLAR	47	F74-0901	HANDLE
21	F44-6202	LINE ROLLER WASHER	48	F72-1001	HANDLE COLLAR
22	F47-3401	LINE ROLLER BUSHING	49	F67-6503	HANDLE SCREW
23	F47-2402	LINE ROLLER	50	F40-1001	BAIL HOLDER WASHER
24	F60-3306	BAIL	51	F76-7701	OSC GEAR WASHER
25	E45-1601	BAIL TRIP LEVER	52	375-8504	PINION WASHER
26	F80-0701	BAIL SPRING			