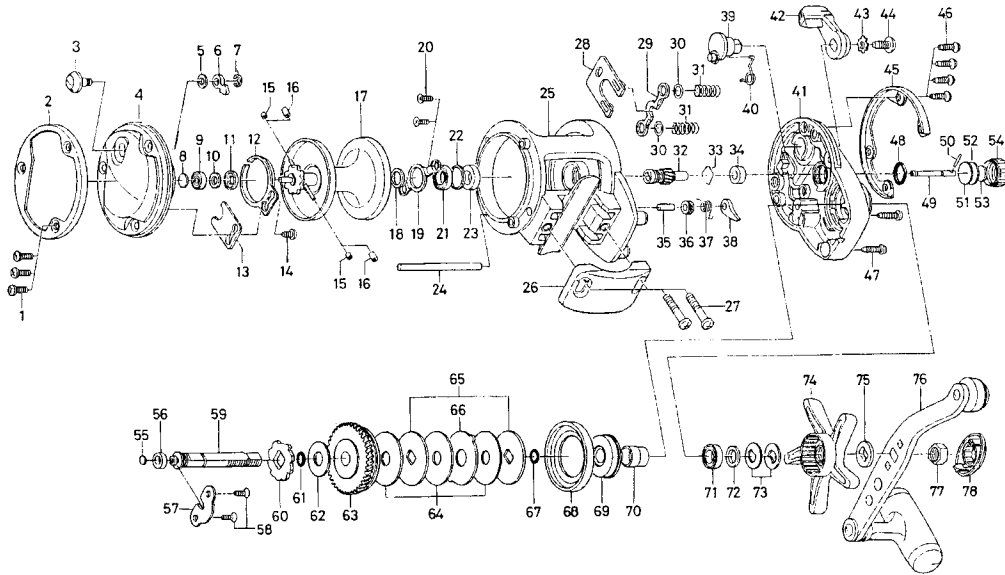


SEALINE-X20SHV / X30SHV



Key No.	Parts No.	Parts Name
1	F09-3601	L/S PLT SCREW
2	E31-8203	L/S OUTER RING
3	E36-1301	CLICK BUTTON
4	E34-5214	L/S PLT
5	373-1602	CLICK BUTTON WASHER
6	030-6612	CLICK PAWL
7	320-1402	CLICK PAWL RET
8	375-7405	SPACER A
9	637-4601	BALL BEARING A
10	E32-6601	BEARING WASHER A
11	E31-8001	BALL BEARING COLLAR A
12	160-7922	CLICK SPRING
13	E36-1201	CLICK SPRING RET
14	B83-4402	CLICK SPRING SCREW
15	B35-2901	BRAKE COLLAR A
16	B35-2701	BRAKE COLLAR B
17	G00-7201	SPOOL
18	F97-5601	BALL BEARING COLLAR B
19	F97-4101	BEARING RET A
20	E31-6701	BEARING RET SCREW
21	F05-5501	BALL BEARING B
22	F94-7102	SPACER B
23	G00-7401	BUSHING A
24	E31-6003	STABILIZER BAR
25	F99-1401	FRAME
26	E31-8301	ROD CLAMP
27	E31-8401	CLAMP BOLT
28	E31-6101	YOKE PLT
29	E36-1101	YOKE
30	E03-7706	YOKE WASHER
31	F93-5201	YOKE SPRING
32	F97-4201	PINION GEAR
33	B09-5601	BEARING RET B
34	G00-8001	BUSHING B
35	E25-2301	A/R PAWL PIN
36	F00-8001	SPRING HOLDER
37	E31-6502	A/R PAWL SPRING
38	E31-6401	A/R PAWL
39	E31-5501	CLUTCH CAM
40	F02-0301	CLUTCH SPRING
41	F97-3804	R/S PLT
42	E24-9806	CLUTCH LEVER
43	160-8001	CLUTCH LEVER LOCK WASHER

Key No.	Parts No.	Parts Name
44	E00-7602	CLUTCH LEVER SCREW
45	E31-7303	R/S OUTER RING
46	F09-3601	R/S PLT SCREW A
47	B00-9702	R/S PLT SCREW B
48	B05-5201	O RING A
49	F94-6901	PINION SHAFT
50	F73-2801	PIN
51	375-7501	SPACER C
52	375-7500	SPACER D
53	B17-5503	SPACER E
54	E31-5405	CAST CONTROL CAP
55	F57-5602	DRIVE SHAFT WASHER A
56	F00-3101	BUSHING C
57	E19-9401	DRIVE SHAFT RET
58	E31-6701	DRIVE SHAFT RET SCREW
59	F97-4301	DRIVE SHAFT
60	E25-2903	A/R RATCHET
61	F65-7801	O RING B
62	374-6604	DRIVE SHAFT WASHER B
63	F97-4401	DRIVE GEAR
64	F97-4501	DRAG WASHER
65	F97-4701	KEY WASHER
66	F97-4601	EARED WASHER
67	F65-7801	O RING C
68	F97-4801	WATER SHIELD
69	F97-4901	COLLAR A
70	G00-7501	COLLAR B
71	F05-5503	BALL BEARING C
72	F73-4201	BEARING WASHER B
73	E25-3501	DRAG SPRING WASHER
74	F55-0415	STAR DRAG
75	E25-3901	SPACING SLEEVE
76	F78-8001	HANDLE
77	B86-2102	HANDLE NUT
78	F47-1205	HANDLE NUT PLT

SL-X30SHV Special Parts

Key No.	Parts No.	Parts Name
4	E34-5215	L/S PLT
17	G00-7301	SPOOL
24	E40-4604	STABILIZER BAR
25	F99-1501	FRAME