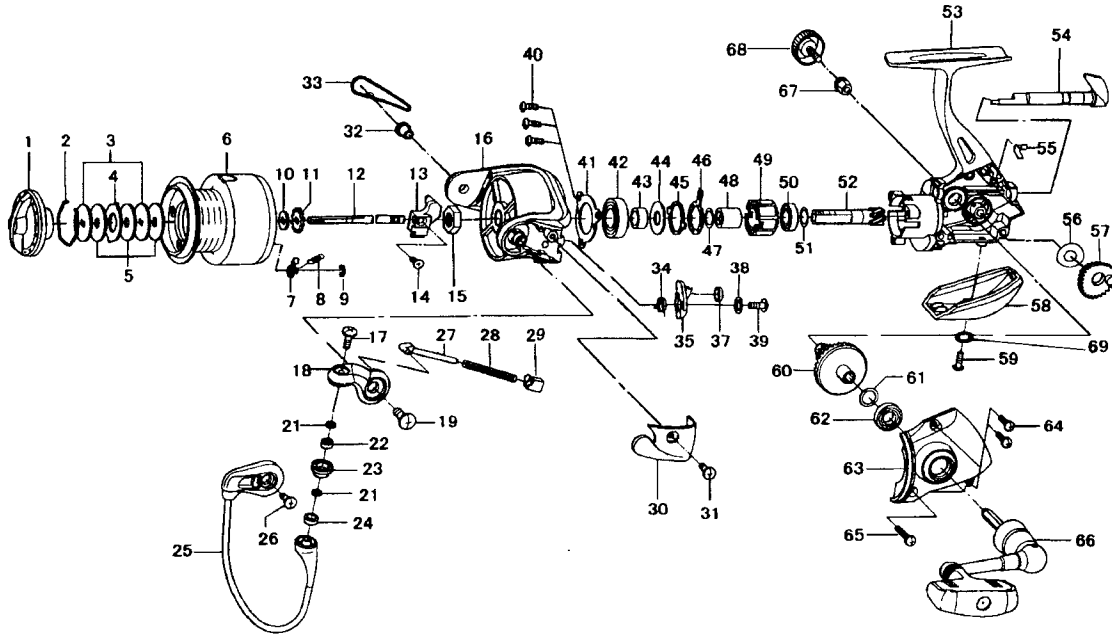


# CAPRICORN 2500



| Key No. | Parts No. | Parts Name              |
|---------|-----------|-------------------------|
| 1       | G23-9001  | DRAG KNOB               |
| 2       | F37-3301  | DRAG WASHER RET         |
| 3       | E46-7201  | KEY WASHER              |
| 4       | 373-3603  | EARED WASHER            |
| 5       | E13-6001  | DRAG WASHER             |
| 2-9     | G23-8801  | SPOOL                   |
| 2-9     | G27-1801  | SPOOL (EXTRA)           |
| 7       | B07-5304  | CLICK PAWL              |
| 8       | E40-3101  | CLICK SPRING            |
| 9       | 320-5901  | CLICK RET               |
| 10      | E46-7101  | SPOOL WASHER            |
| 11      | F81-1501  | CLICK GEAR              |
| 12      | G29-1501  | MAIN SHAFT              |
| 13      | G01-6501  | OSC SLIDER              |
| 14      | 351-0315  | OSC SLIDER SCREW        |
| 15      | F33-6102  | ROTOR NUT               |
| 16      | G19-4003  | ROTOR                   |
| 17      | G19-5601  | LINE ROLLER SCREW       |
| 18      | G19-4501  | BAIL ARM                |
| 19      | G22-4901  | BAIL ARM SCREW          |
| 21      | F89-7101  | LINE ROLLER WASHER      |
| 22      | G02-0801  | BALL BEARING A          |
| 23      | F92-1601  | LINE ROLLER             |
| 24      | G04-7601  | LINE ROLLER COLLAR      |
| 25      | G19-4701  | BAIL                    |
| 26      | 351-6101  | BAIL HOLDER SCREW       |
| 27      | G01-7504  | BAIL SPRING SHAFT       |
| 28      | G01-7701  | BAIL SPRING             |
| 29      | G01-7401  | BAIL SPRING HOLDER      |
| 30      | G19-4601  | BAIL SPRING COVER       |
| 31      | G20-5101  | BAIL SPRING COVER SCREW |
| 32      | G19-5102  | BAIL HOLDER NUT         |
| 33      | G19-5201  | BAIL HOLDER COVER       |
| 34      | G19-4101  | BAIL TRIP LEVER SPRING  |

| Key No. | Parts No. | Parts Name             |
|---------|-----------|------------------------|
| 35      | G26-5401  | BAIL TRIP LEVER        |
| 37      | G19-4301  | BRAKE SHOE             |
| 38      | G25-6401  | BAIL TRIP LEVER WASHER |
| 39      | G19-3701  | BAIL TRIP LEVER SCREW  |
| 40      | 352-2501  | BEARING RET SCREW      |
| 41      | G19-3601  | BEARING RET            |
| 42      | 637-6101  | BALL BEARING B         |
| 43      | G19-3501  | BALL BEARING COLLAR    |
| 44      | B27-5403  | BALL BEARING WASHER    |
| 45      | F62-2301  | CLUTCH CAM RET         |
| 46      | F62-2201  | CLUTCH CAM             |
| 47      | 375-8502  | CLUTCH CAM WASHER      |
| 48      | F73-2501  | SPACING SLEEVE         |
| 49      | G22-0601  | ROLLER CLUTCH          |
| 50      | 634-1301  | BALL BEARING C         |
| 51      | 375-8504  | PINION GEAR WASHER     |
| 52      | G29-1201  | PINION GEAR            |
| 53      | G23-8301  | BODY                   |
| 54      | G19-3101  | A/R LEVER              |
| 55      | G19-3301  | A/R CAM SPRING         |
| 56      | F76-7700  | OSC GEAR WASHER        |
| 57      | F67-7401  | OSC GEAR               |
| 58      | G19-3902  | REAR COVER             |
| 59      | F50-5701  | REAR COVER SCREW       |
| 60      | G01-6601  | DRIVE GEAR             |
| 61      | 375-8500  | DRIVE GEAR WASHER      |
| 62      | 634-1301  | BALL BEARING D         |
| 63      | G19-3802  | SIDE COVER             |
| 64      | 351-1106  | SIDE COVER SCREW A     |
| 65      | G25-9101  | SIDE COVER SCREW B     |
| 66      | G23-8501  | HANDLE                 |
| 67      | F72-1001  | HANDLE COLLAR          |
| 68      | F67-6503  | HANDLE SCREW           |
| 69      | G25-6401  | REAR COVER WASHER      |