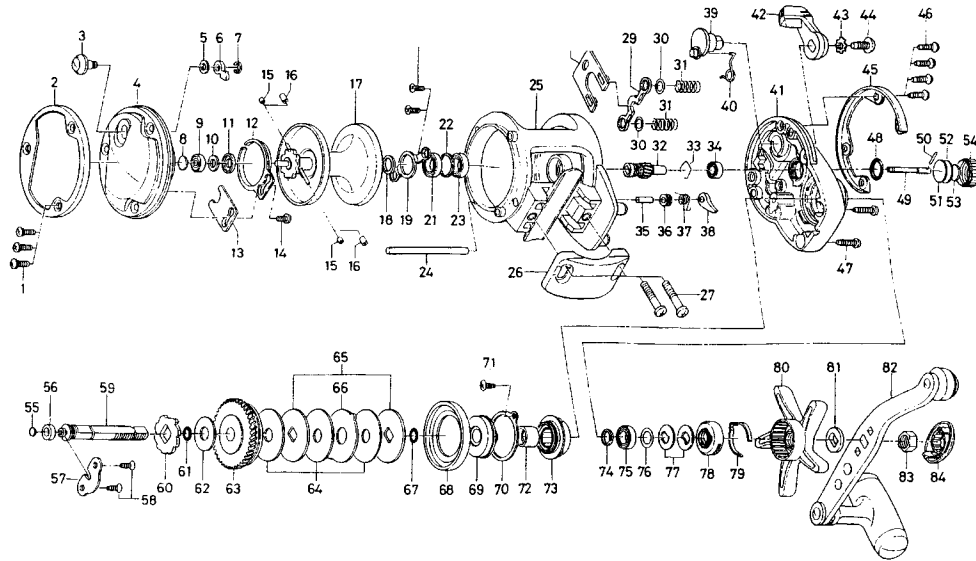


CONVENTIONAL GRANDWAVE - Z20SHW / 30SHW



Key No.	Parts No.	Parts Name	Key No.	Parts No.	Parts Name
1	F09-3602	L/S PLT SCREW	49	F94-6901	PINION SHAFT
2	E31-8202	L/S OUTER RING	50	F73-2801	PIN
3	E36-1302	CLICK BUTTON	51	375-7501	SPACER C
4	F96-3803	L/S PLT	52	375-7500	SPACER D
5	373-1602	CLICK BUTTON WASHER	53	B17-5503	SPACER E
6	030-6612	CLICK PAWL	54	E31-5403	CAST CONTROL CAP
7	320-1402	CLICK PAWL RET	55	F57-5602	DRIVE SHAFT WASHER A
8	375-7405	SPACER A	56	F00-3101	BUSHING
9	637-4602	BALL BEARING A	57	E19-9401	DRIVE SHAFT RET
10	E32-6601	BEARING WASHER A	58	E31-6701	DRIVE SHAFT RET SCREW
11	E31-8001	COLLAR A	59	F97-4301	DRIVE SHAFT
12	160-7922	CLICK SPRING	60	E25-2903	A/R RATCHET
13	E36-1201	CLICK SPRING RET	61	F65-7801	O RING B
14	B83-4402	CLICK SPRING SCREW	62	374-6604	DRIVE SHAFT WASHER B
15	B35-2901	BRAKE COLLAR A	63	F97-4401	DRIVE GEAR
16	B35-2701	BRAKE COLLAR B	64	F97-4501	DRAG WASHER
17	G00-7202	SPOOL	65	F97-4701	KEY WASHER
18	F97-5601	COLLAR B	66	F97-4601	EARED WASHER
19	F97-4101	BEARING RET A	67	F65-7801	O RING C
20	E31-6701	BEARING RET SCREW	68	F97-4801	WATER SHIELD
21	F05-5503	BALL BEARING B	69	F97-4901	BALL BEARING COLLAR
22	F94-7102	SPACER B	70	F82-7801	HANDLE METAL PLT
23	F05-5502	BALL BEARING C	71	E24-8101	HANDLE METAL PLT SCREW
24	E31-6002	STABILIZER BAR	72	F82-7101	SPACING SLEEVE
25	F97-4001	FRAME	73	F82-7601	HANDLE METAL
26	E31-8302	ROD CLAMP	74	F36-6804	HANDLE METAL COLLAR
27	E31-8401	CLAMP BOLT	75	F05-5502	BALL BEARING E
28	E31-6101	YOKE PLT	76	F36-6803	BEARING WASHER B
29	E36-1101	YOKE	77	E25-3501	DRAG SPRING WASHER
30	E03-7706	YOKE WASHER	78	F17-0501	CLICK LEAF SPRING HOLDER
31	F93-5201	YOKE SPRING	79	B74-7702	CLICK LEAF SPRING
32	F97-4201	PINION GEAR	80	F55-0419	STAR DRAG
33	B09-5601	BEARING RET B	81	E25-3901	FRICITION WASHER
34	F79-8402	BALL BEARING D	82	F97-6001	HANDLE
35	E25-2301	A/R PAWL PIN	83	B86-2102	HANDLE NUT
36	F00-8001	SPRING HOLDER	84	F47-1207	HANDLE NUT PLT
37	E31-6501	A/R PAWL SPRING	85	320-1402	CLICK RET
38	E31-6401	A/R PAWL	86	B21-6701	CLICK GEAR
39	E31-5501	CLUTCH CAM	87	E36-1402	CLICK SPRING WASHER
40	F02-0301	CLUTCH SPRING			
41	F97-3801	R/S PLT			
42	E24-9807	CLUTCH LEVER			
43	160-8001	CLUTCH LEVER LOCK WASHER			
44	E00-7601	CLUTCH LEVER SCREW			
45	E31-7302	R/S OUTER RING			
46	F09-3602	R/S PLT SCREW A			
47	B00-9701	R/S PLT SCREW B			
48	B05-5201	O RING A			

GW-Z30SHW SPECIAL PARTS		
Key No.	Parts No.	Parts Name
4	F96-3804	L/S PLT
17	G00-7302	SPOOL
24	E40-4603	STABILIZER BAR
25	F97-5701	FRAME
41	F97-3803	R/S PLT