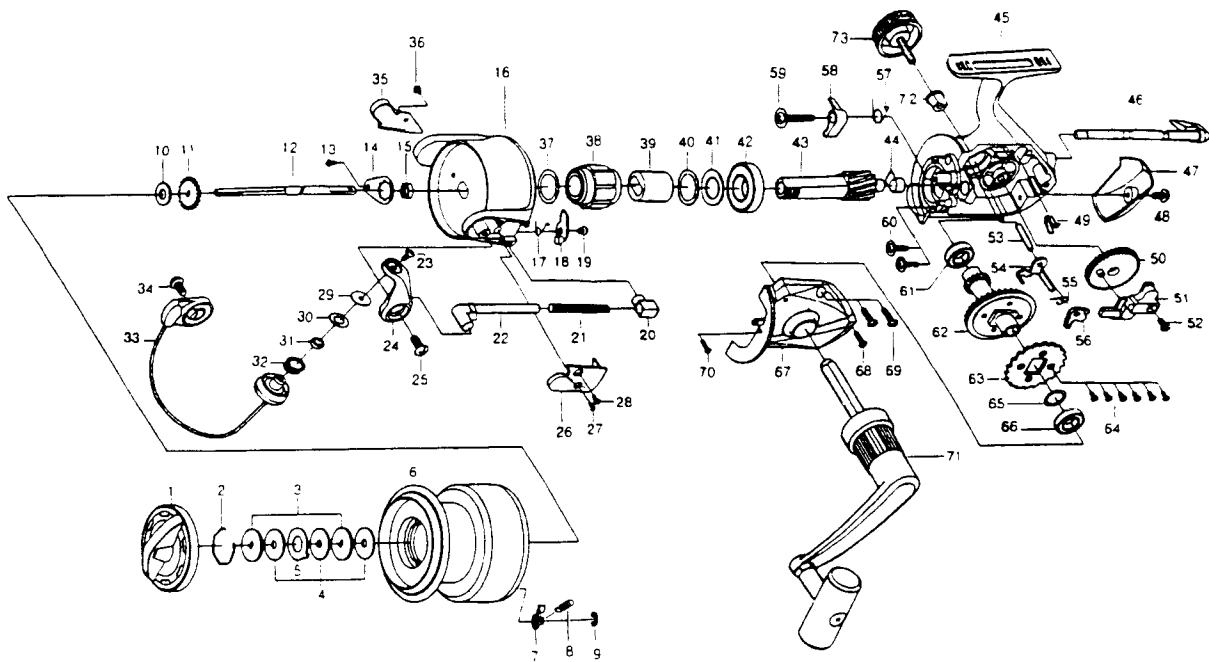


LAGUNA 5500 / 6000



* Indicate part number changed

Key No.	Parts No.	Parts Name	Key No.	Parts No.	Parts Name
1	E54-5501	DRAG KNOB	40	F71-1801	BALL BEARING WASHER A
2	171-7701	DRAG WASHER RET	41	F71-1701	BALL BEARING WASHER B
3	L03-1301	KEY WASHER	42	L03-6401	BALL BEARING B
4	373-3711	DRAG WASHER	43	E54-7701	PINION GEAR
5	B89-9501	EARED WASHER	44	L00-6001	PINION COLLAR
2-9	E55-0001	SPOOL	45	E54-7501	BODY
2-9	E55-0401	SPOOL (EXTRA)	46	E54-1803	A/R LEVER
7	B07-8201	CLICK PAWL	47	E54-8801	REAR COVER
8	145-2101	CLICK SPRING	48	F21-2201	REAR COVER SCREW
9	320-1402	CLICK RET	49	E54-1701	A/R CAM SPRING
10	L00-3400	SPOOL WASHER	50	E54-7801	OSC GEAR
11	L11-8501	CLICK GEAR	51	E54-7901	OSC SLIDER
12	E54-8601	MAIN SHAFT	52	351-8901	OSC SLIDER SCREW
13	L01-1702	ROTOR NUT HOLD PLT SCREW	53	E54-8101	A/R CAM SHAFT
14	F58-9801	ROTOR NUT HOLD PLT	54	E54-8001	A/R CAM
15	340-8301	ROTOR NUT	55	E54-2601	A/R PAWL SPRING A
16	E54-8901	ROTOR	56	E54-8301	A/R PAWL A
17	F72-3301	BAIL TRIP LEVER SPRING	57	F72-1701	A/R PAWL SPRING B
18	F71-2601	BAIL TRIP LEVER	58	E54-2101	A/R PAWL B
19	E80-0802	BAIL TRIP LEVER SCREW	59	F75-4101	A/R PAWL SCREW
20	E80-8901	BAIL SPRING HOLDER	60	L01-1601	BEARING RET SCREW
21	E54-9101	BAIL SPRING	61	B54-6001	BALL BEARING C
22	E80-8707	BAIL SPRING SHAFT	62	L07-1702	DRIVE GEAR
23	F60-7301	LINE ROLLER SCREW	63	E54-8201	A/R RATCHET
24	E54-4001	BAIL ARM	64	E54-2901	A/R RATCHET SCREW
25	E00-7601	BAIL ARM SCREW	65	371-2824	DRIVE GEAR WASHER
26	E54-9201	BAIL SPRING COVER	66	B54-6001	BALL BEARING D
27	G25-7301	BAIL SPRING COVER SCREW A	67	E54-8701	SIDE COVER
28	E24-8101	BAIL SPRING COVER SCREW B	68	E13-0501	SIDE COVER SCREW A
29	F44-6302	LINE ROLLER COLLAR	69	B83-5002	SIDE COVER SCREW B
30	F44-6202	LINE ROLLER WASHER	70	G25-7301	SIDE COVER SCREW C
31	F05-5601	BALL BEARING A	71	E54-9601	HANDLE
32	F45-4902	LINE ROLLER	72	F73-1601	HANDLE COLLAR
33	E54-9301	BAIL	73	L00-9111	HANDLE SCREW
34	E00-7601	BAIL HOLDER SCREW			
35	E54-9501	BAIL HOLDER COVER			
36	E24-8101	BAIL HOLDER COVER SCREW			
37	F71-1801	ROLLER CLUTCH WASHER			
38	F72-2601	ROLLER CLUTCH			
39	F70-9801	SPACING SLEEVE			

LA6000 SPECIAL PARTS

Key No.	Parts No.	Parts Name
2-9	E55-0801	SPOOL
2-9	E55-4101	SPOOL (EXTRA)