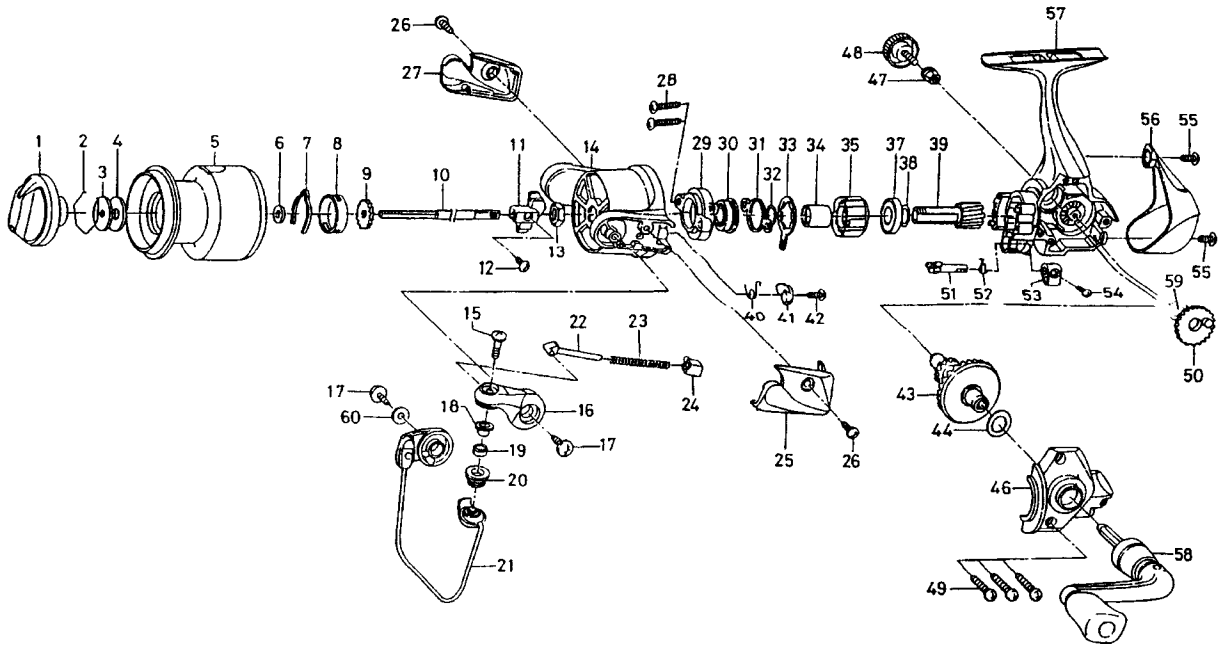


REGAL-S1500C / 2000C



Key No.	Parts No.	Parts Name
1	G06-3603	DRAG KNOB
2	F37-3301	DRAG WASHER RET
3	E46-7201	KEY WASHER
4	E13-6001	DRAG WASHER
2-5	G17-3201	SPOOL
6	E46-7101	SPOOL WASHER
7	F70-4901	SPOOL CLICK LEAF SPRING
8	E12-2308	CLICK LEAF SPRING HOLDER
9	F81-1501	CLICK GEAR
10	G06-1801	MAIN SHAFT
11	G06-1601	OSC SLIDER
12	351-0315	OSC SLIDER SCREW
13	F33-6102	ROTOR NUT
14	G06-2203	ROTOR
15	G01-8601	LINE ROLLER SCREW
16	G06-2502	BAIL ARM
17	B84-2102	BAIL HOLDER SCREW
18	G15-2501	LINE ROLLER COLLAR
19	G17-3801	LINE ROLLER BUSHING
20	F62-5002	LINE ROLLER
21	G17-2701	BAIL
22	G01-7503	BAIL SPRING SHAFT
23	G06-2401	BAIL SPRING
24	G01-7401	BAIL SPRING HOLDER
25	G06-2603	BAIL SPRING COVER
26	E36-4202	BAIL SPRING COVER SCREW
27	G06-3003	BAIL HOLDER COVER
28	E33-0402	BAIL HOLDER COVER SCREW
29	G01-6401	BEARING RET
30	F22-6701	BALL BEARING A
31	F67-7301	ROLLER CLUTCH RET A

Key No.	Parts No.	Parts Name
32	375-8509	ROLLER CLUTCH WASHER
33	F62-2201	ROLLER CLUTCH RET B
34	F73-2501	SPACING SLEEVE
35	F62-2001	ROLLER CLUTCH
37	634-1301	BALL BEARING B
38	375-8504	PINION WASHER
39	G06-1401	PINION GEAR
40	G01-7201	BAIL TRIP LEVER SPRING
41	G13-5401	BAIL TRIP LEVER
42	G12-2401	BAIL TRIP LEVER SCREW
43	G06-1701	DRIVE GEAR
44	375-8500	DRIVE GEAR WASHER
46	G17-2601	SIDE COVER
47	F72-1001	HANDLE COLLAR
48	F67-6502	HANDLE SCREW
49	E13-0501	SIDE COVER SCREW
50	F69-1702	OSC GEAR
51	G06-1301	A/R CAM
52	G17-0201	A/R CAM SPRING
53	G01-5802	A/R LEVER
54	G01-6001	A/R LEVER SCREW
55	E24-8101	REAR COVER SCREW
56	G16-6901	REAR COVER
57	G17-2501	BODY
58	G17-2801	HANDLE
59	G11-4300	OSC COLLAR
60	F40-1001	BAIL HOLDER WASHER

RG-S2000C SPECIAL PARTS

Key No.	Parts No.	Parts Name
2-5	G17-2901	SPOOL