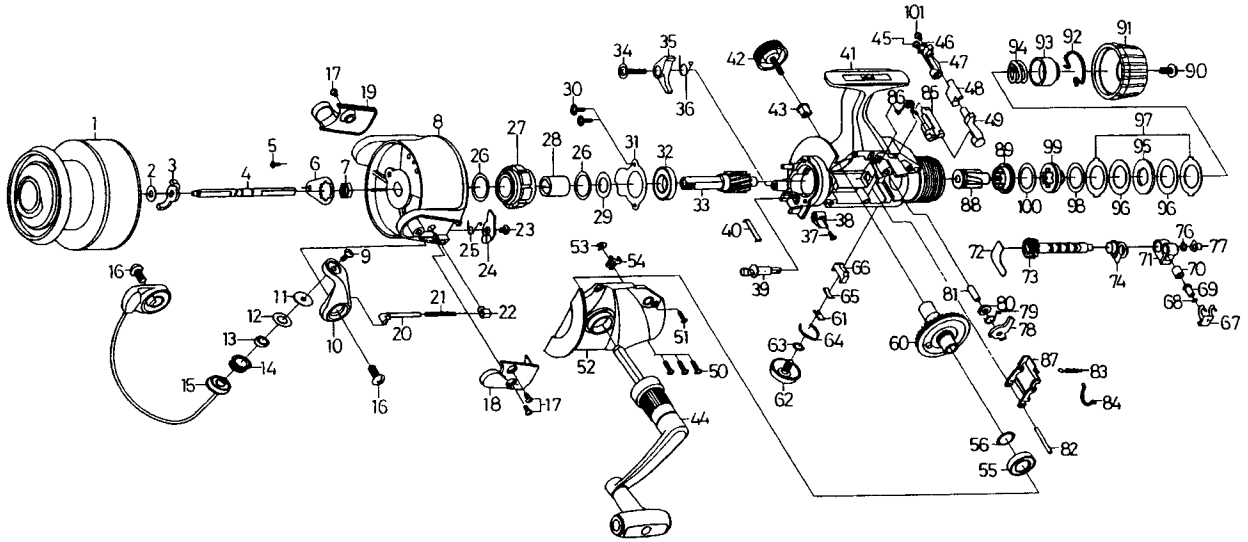


SEALINE-4550BR / 5050BR



Key No.	Parts No.	Parts Name	Key No.	Parts No.	Parts Name
1	G29-0601	SPOOL	52	G29-0401	SIDE COVER
1	F72-5203	SPOOL (EXTRA)	53	320-1402	YOKE PLT STOPPER RET
2	L00-3402	SPOOL WASHER	54	E85-0502	YOKE PLT STOPPER
3	E81-0001	MAIN SHAFT PLT	55	B54-6001	BALL BEARING C
4	F72-2701	MAIN SHAFT	56	371-2824	DRIVE GEAR WASHER
5	L01-1702	ROTOR NUT HOLD PLT SCREW	60	F71-2202	DRIVE GEAR
6	B02-1601	ROTOR NUT HOLD PLT	61	E80-5401	TENSION CONTROL RET
7	340-8301	ROTOR NUT	62	E80-4903	TENSION CONTROL DIAL
8	F71-2502	ROTOR	63	E52-9800	TENSION CONTROL WASHER
9	F60-7302	LINE ROLLER SCREW	64	E80-5101	CLICK LEAF SPRING
10	F71-2701	BAIL ARM	65	E80-5301	TENSION SPRING
11	F44-6302	LINE ROLLER COLLAR	66	E80-5201	TENSION CONTROL SHOE
12	F44-6202	LINE ROLLER WASHER	67	F71-2101	OSC SLIDER RET
13	F05-5601	BALL BEARING A	68	F72-2901	OSC SLIDER WASHER
14	F45-4902	LINE ROLLER	69	F72-2801	OSC PAWL
15	F72-3702	BAIL	70	F71-2001	OSC PAWL COLLAR
16	E00-7601	BAIL ARM SCREW	71	F71-1301	OSC SLIDER
17	E81-1001	BAIL HOLDER COVER SCREW	72	F71-1501	WORM SHAFT RET
18	F71-2801	BAIL SPRING COVER	73	F95-8101	WORM SHAFT
19	F71-2901	BAIL HOLDER COVER	74	F71-1201	WORM SHAFT COLLAR
20	F72-3401	BAIL SPRING SHAFT	76	F72-2400	WORM SHAFT WASHER
21	F72-3601	BAIL SPRING	77	F71-1101	WORM SHAFT BUSH
22	E80-8901	BAIL SPRING HOLDER	78	F71-1001	CLUTCH TRIP LEVER
23	E80-0802	BAIL TRIP LEVER SCREW	79	E80-3501	CLUTCH TRIP LEVER SPRING
24	F71-2601	BAIL TRIP LEVER	80	E80-3401	CLUTCH TRIP LEVER COLLAR
25	F72-3301	BAIL TRIP LEVER SPRING	81	F72-4901	CLUTCH TRIP LEVER PIN
26	F71-1801	ROLLER CLUTCH WASHER	82	F72-2201	YOKE PLT PIN
27	F72-2601	ROLLER CLUTCH	83	E80-4702	YOKE PLT SPRING
28	F70-9801	SPACING SLEEVE	84	F72-2101	YOKE
29	F71-1701	BEARING RET WASHER	85	E80-3702	CLUTCH CAM
30	E80-0802	BEARING RET SCREW	86	F72-2001	CLUTCH CAM SPRING
31	F71-1601	BEARING RET	87	F71-0801	YOKE PLT
32	637-6101	BALL BEARING B	88	E80-5502	CLUTCH METAL A
33	F72-2501	PINION GEAR	89	E80-5602	CLICK GEAR
34	F75-4101	A/R PAWL SCREW	90	E80-6701	DRAG KNOB SCREW
35	F54-2101	A/R PAWL	91	F71-0702	DRAG KNOB
36	F72-1701	A/R PAWL SPRING	92	F72-1901	DRAG WASHER RET
37	E80-0502	A/R LEVER SCREW	93	F75-4201	DRAG COLLAR
38	E80-0401	A/R LEVER	94	F72-1801	DRAG COIL SPRING
39	E80-0601	A/R CAM	95	F71-0601	KEY WASHER
40	E80-0701	A/R CAM SPRING	96	F71-0501	DRAG WASHER
41	G29-0301	BODY	97	F71-0401	EARED WASHER
42	L00-9108	HANDLE SCREW	98	E80-5901	CLUTCH METAL WASHER
43	F73-1601	HANDLE COLLAR	99	E80-5701	CLUTCH METAL B
44	G29-0501	HANDLE	100	E80-5801	CLICK GEAR WASHER
45	E52-9701	CLUTCH LEVER SCREW A	101	E80-4201	CLUTCH LEVER SCREW B
46	E80-4301	CLUTCH LEVER WASHER			
47	E80-3907	CLUTCH LEVER A			
48	E80-4107	CLUTCH LEVER BRIDGE			
49	E80-4006	CLUTCH LEVER B			
50	B83-5001	SIDE COVER SCREW A			
51	E80-3201	SIDE COVER SCREW B			

SL5050BR SPECIAL PARTS

Key No.	Parts No.	Parts Name
1	G29-0701	SPOOL
1	F72-5403	SPOOL (EXTRA)