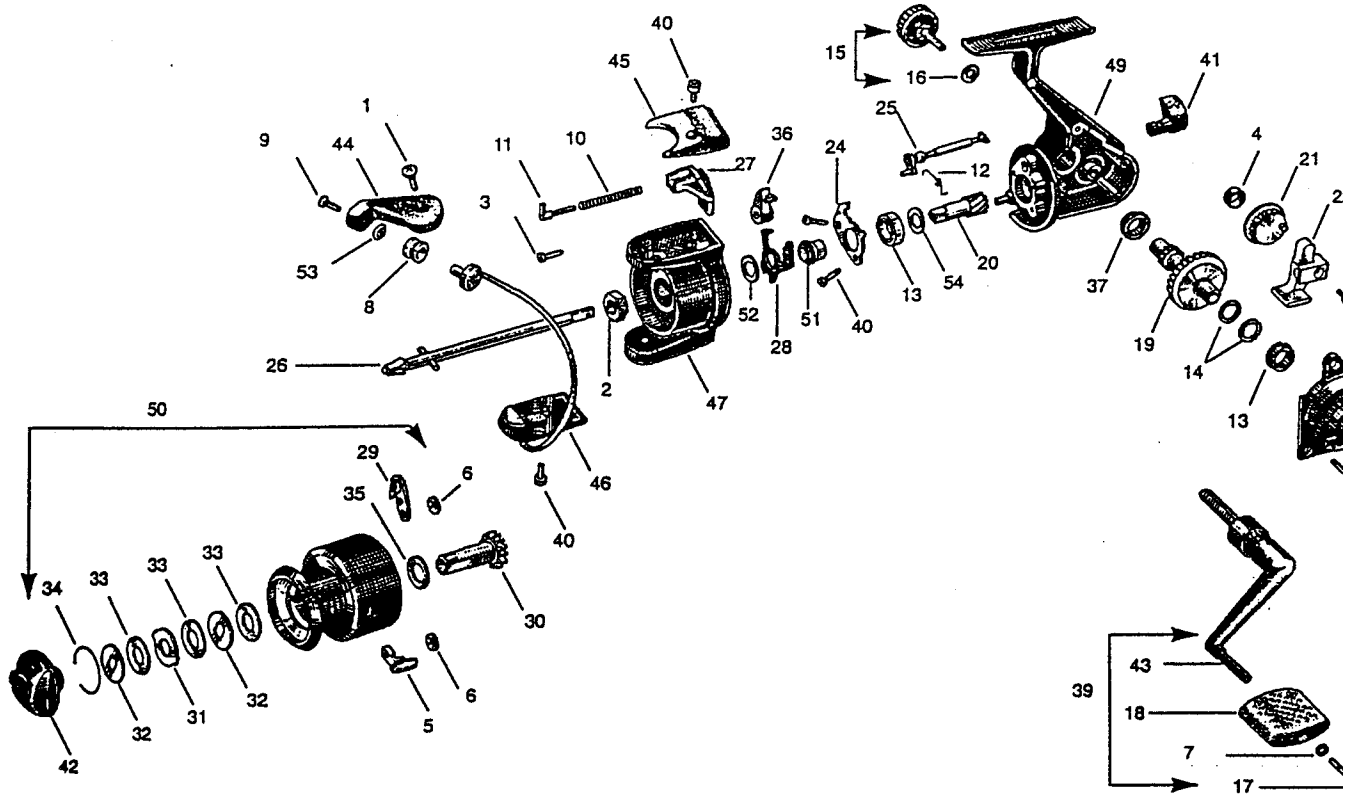


MITCHELL

OR30,OR50



rev.A 11-95

ITEM NO.	OR30	OR50	DESCRIPTION	ITEM NO.	OR30	OR50	DESCRIPTION
1	84293		BAIL ARM SCREW	28	85921	85399	ANTI-REVERSE FRICTION
2	84299		ROTATING HEAD HEX NUT	29	85926		SPOOL CLICK
3	84787		HEX NUT LOCK SCREW	30	85927	86206	SPOOL SPINDLE
4	85020		CROSS WIND BUSHING	31	85930		EARED DRAG WASHER
5	85027		LINE CLIP	32	85931		KEYED DRAG WASHER
6	85028		RETAINING CLIP	33	85932		DRAG WASHER
7	85033		HANDLE KNOB WASHER	34	85933		DRAG RETAINER
8	85038		LINE GUIDE	35	85939		BASE DRAG WASHER
9	85038		LINE GUIDE SCREW	36	85944	86137	ANTI-REVERSE DOG
10	85046	86120	BAIL SPRING	37	85945	86523	HOUSING BUSHING
11	85048	85149	BAIL SPRING PIN	38	85957x4		SIDEPLATE SCREW
12	85053		ANTI-REVERSE SHAFT SPRING	39	85958		HANDLE
13	85055		BALL BEARING	40	85960		RETAINING SCREW
14	85056		SHIM- DRIVE GEAR	41	85968	86147	ANTI-REVERSE BUTTON
15	85078		HANDLE CAP SCREW W/WASHER	42	85969	86146	DRAG KNOB
16	85083		CAP SCREW WASHER	43	85970		HANDLE ARM
17	85088		HANDLE KNOB SCREW	44	85971	86514	BAIL ARM
18	85498		HANDLE KNOB	45	85973	86141	COVER PLATE N1
19	85903	86113	DRIVE GEAR	46	85974	86139	BAIL WIRE W/COVER PLATE
20	85904	86117	PINION GEAR	47	85975	86102	ROTATING HEAD
21	85905	86203	CROSS WIND GEAR	48	86025	86142	SIDEPLATE
22	85906	86202	OSCILLATION SLIDE	49	86028	86144	HOUSING
23	85907		OSCILLATION SLIDE SCREW	50	86027	86138	SPOOL
24	85908	86109	BEARING RETAINER	51	86115		AR FRICTION BUSHING
25	85912	86108	ANTI-REVERSE SHAFT	52	86116		AR FRICTION WASHER
26	85913	86149	AXLE	53	87922		LINE GUIDE
27	85920	86105	TRIP LEVER	54	85977		BEARING WASHER