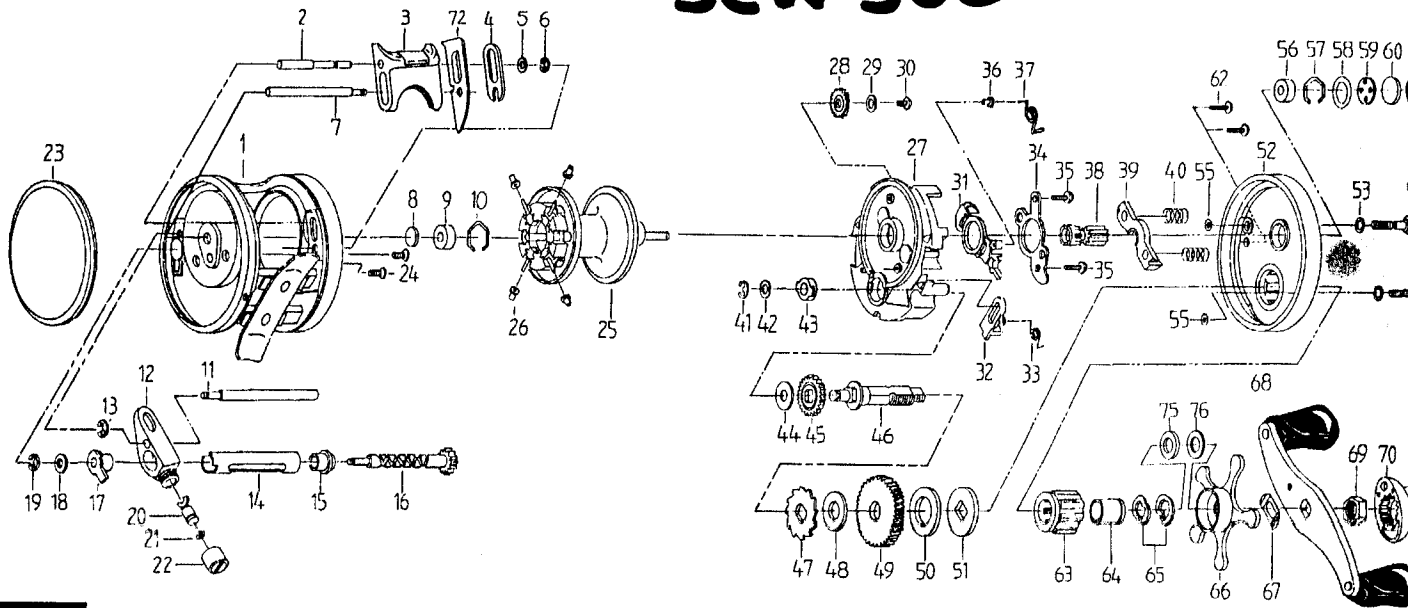


SCW 300



JOHNSON WORLDWIDE ASSOCIATES

Parts List

1	8889055	FRAME	26	8889081	BRAKE SHOE	51	8889107	DRAG PLATE
2	8889056	THUMB BAR PIN	27	8889082	COVER HOUSING	52	8889108	RIGHT SIDE COVER
3	8889057	THUMB BAR	28	8889083	IDLE GEAR	53	8889110	THUMB SCREW WASHER (2 req'd)
4	8889130	THUMB BAR PLATE B	29	8889084	WASHER	54	8889111	THUMB SCREW (2 req'd)
5	8889059	WASHER	30	8889085	IDLE GEAR SCREW	55	8889112	THUMB SCREW O-RING
6	8889060	E-CLIP	31	8889086	CLUTCH CAM	56	8889113	BUSHING
7	8889061	PIN	32	8889087	KICK LEVER	57	8889115	RETAINER CLIP
8	8889062	CAST CONTROL	33	8889088	KICK LEVER SPRING	58	8889116	O-RING
9	8889063	BALL BEARING	34	8889089	CAM PLATE	59	8889117	CAST CONTROL PLATE
10	8889064	RETAINER CLIP	35	8889090	CAM PLATE SCREW (2 req'd)	60	8889118	CUSHION WASHER
11	8889065	LEVEL WIND PIN	36	8889091	SPRING COLLAR	61	8889119	CAST CONTROL CAP
12	8889066	LEVEL WIND	37	8889092	CLUTCH CAM SPRING	62	8889120	RIGHT SIDE COVER SCREW (2 req'd)
13	8889060	E-CLIP	38	8889093	PINION GEAR	63	8889121	ONE WAY BEARING
14	8889067	LEVEL WIND GUARD	39	8889094	YOKE	64	8889122	BEARING SLEEVE 7/8"
15	8889068	WORM BUSHING B	40	8889095	YOKE SPRING (2 req'd)	65	8889123	DRAG SPRING WASHER (2 req'd)
16	8889070	WORM SHAFT	41	8889096	E-CLIP	66	8889124	STAR DRAG
17	8889071	WORM BUSHING A	42	8889097	CRANK SHAFT WASHER	67	8889125	FRICITION WASHER
18	8889072	WASHER	43	8889098	CRANK SHAFT BUSHING	68	8889126	HANDLE ASSEMBLY
19	8889129	E-CLIP	44	8889100	WASHER	69	8889127	HANDLE NUT
20	8889073	LEVEL WIND PAWL	45	8889101	GEAR	70	8889128	HANDLE NUT CAP
21	8889074	LEVEL WIND WASHER	46	8889102	CRANK SHAFT	71	8889256	HANDLE NUT CAP SCREW
22	8889075	LEVEL WIND COVER	47	8889103	KICKING RATCHET	72	8889257	THUMB BAR PLATE A
23	8889076	LEFT SIDE COVER	48	8889104	DRAG WASHER A	75	8889258	STAR DRAG WASHER - METAL
24	8889078	LEFT SIDE COVER SCREW (2 req'd)	49	8889105	DRIVE GEAR	76	8889259	STAR DRAG WASHER - TEFLO
25	8889079	SPOOL ASSEMBLY	50	8889106	DRAG WASHER B			