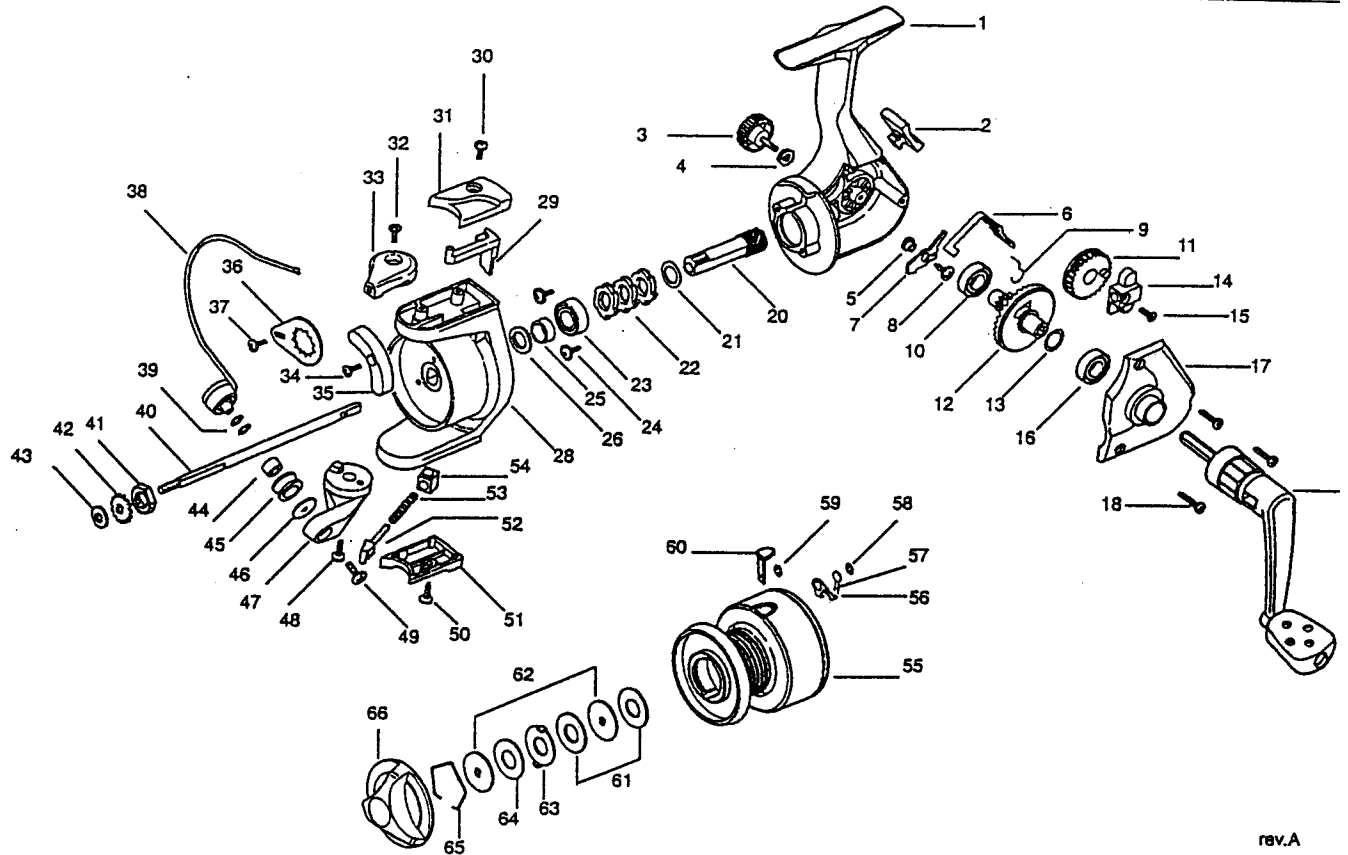


MITCHELL

T10UL,T30,T50



rev.A

ITEM	PART NO.	ITEM	PART NO.	ITEM	PART NO.	ITEM	PART NO.
1	88658	19	88627	35	88661	55	88662
	88635 •		88576 Δ		88649 •		88620 •
	88553 Δ		88639		not used Δ		88595 Δ
2	88632		88577 Δ	36	88670	56	88596
	88555 Δ	21	88675x4	37	88671	57	88597
3	88556		not used Δ	38	88663	58	88617
4	88619	22	88638x3		88646 •	59	88617
5	88558		88618 Δ		88584 Δ	60	88616
6	88631	23	88637	39	88585	61	88623x2
	88561 Δ		88567 Δ	40	88647		88593x2 Δ
7	88630	24	88600x2		88570 Δ	62	88621x2
	88559 Δ	25	88636	41	88601		88592x2 Δ
8	88609		88599 Δ	42	88571	63	88622
9	88562	26	88665	43	88604		88594 Δ
10	88557		88603 Δ	44	88586	64	88624
11	88633	28	88660	45	88587		88672 Δ
	88563 Δ		88640 •	46	88598	65	88628
12	88629		88583 Δ	47	88648		88591 Δ
	88554 Δ	29	88644		88589 Δ	66	88664
13	88566		88581 Δ	48	88578		88625 •
14	88634	30	88578	49	88575		88590
	88564 Δ	31	88643	50	88578		
15	88565		88580 Δ	51	88642		
16	88557	32	88578		88579 Δ		
17	88659	33	88645	52	88641		
	88628 •		88582 Δ		88574 Δ		
	88568 Δ	34	88650	53	88573		
	88569x3		not used Δ	54	88572		

• = Triad 30
Δ = Triad 50