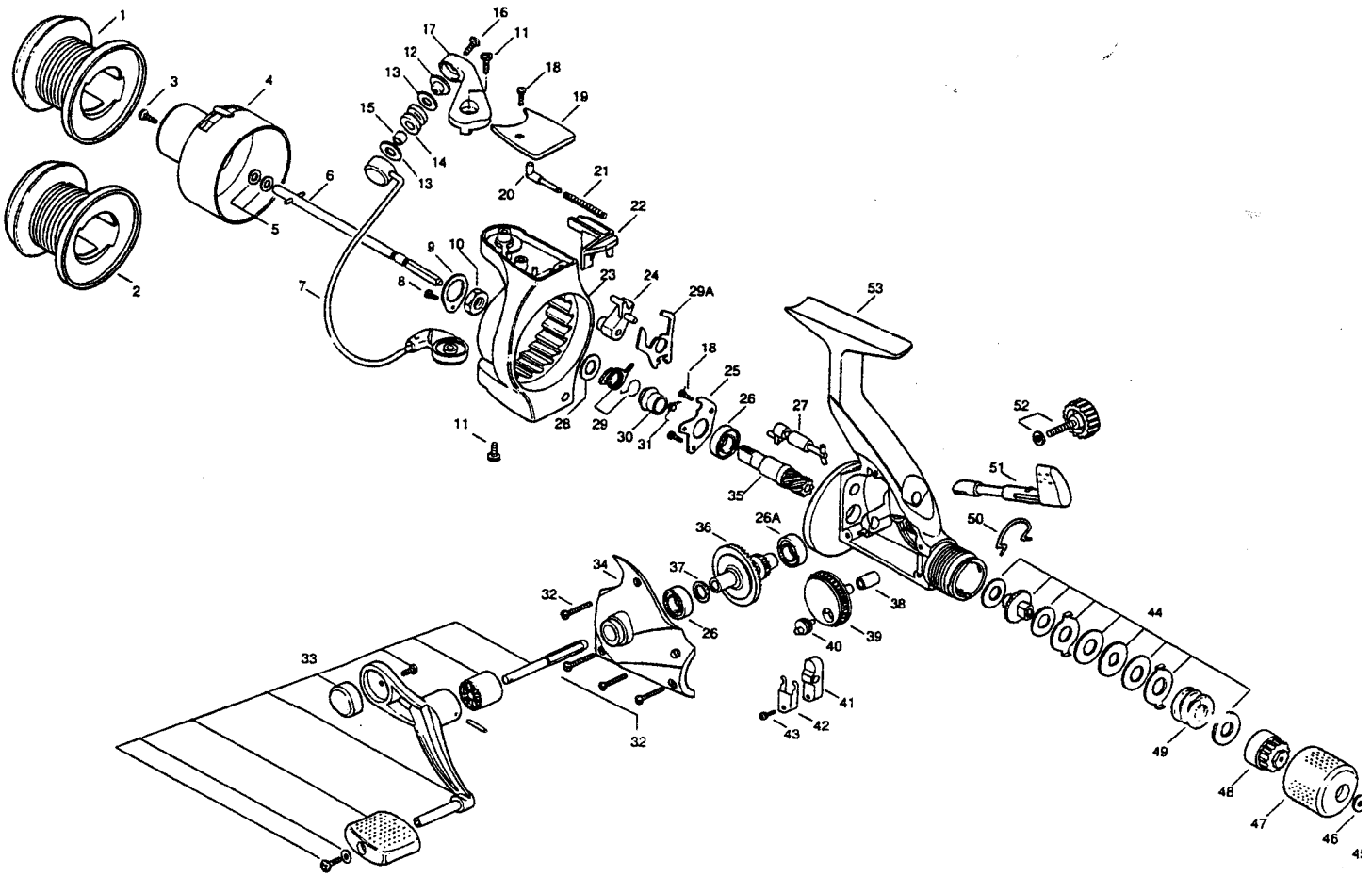


# MCH20/MCH40

Rev A. 7/98



1	888-9351	SIZE 20 COPPER ANODIZED SPOOL ASSEMBLY	888-9404	SIZE 40 BAIL ARM	893-4000	SIZE 20 ANTI-REVERSE ACTUATION RACE	892-8900	SIZE 40 MAIN SHAFT KEE	
	888-9352	SIZE 40 COPPER ANODIZED SPOOL ASSEMBLY	18	888-9405	861-1500	SIZE 40 ANTI-REVERSE ACTUATION RACE	43	850-1900	SCREW- OSCILLATION
2	888-9353	SIZE 20 GRAPHITE SPOOL	19	888-9406	850-5300	ANTI-REVERSE ON-OFF SPRING	44	888-9421	SIZE 20 DRAG WASHER
	888-9354	SIZE 40 GRAPHITE SPOOL		888-9407	888-9412	BODY SCREWS		888-9422	SIZE 40 DRAG WASHER KI
3	850-8800	SPOOL HUB SCREW	20	850-4800	888-9414	SIZE 20 HANDLE ASSEMBLY	45	889-3800	SIZE 20 DRAG KNOB SCRE
4	888-9355	SIZE 20 SPOOL HUB ASSEMBLY		851-4900	888-9415	SIZE 40 HANDLE ASSEMBLY		850-7000	SIZE 40 DRAG KNOB SCRE
	888-9356	SIZE 40 SPOOL HUB ASSEMBLY	21	850-4600	888-9416	SIZE 20 BODY COVER ASSEMBLY	46	831-1400	WASHER- DRAG KNOB
5	894-8900	SIZE 20 SPOOL WASHER	22	859-2000	888-9417	SIZE 40 BODY COVER ASSEMBLY	47	888-9519	SIZE 20 DRAG KNOB
6	888-9357	SIZE 20 MAIN SHAFT ASSEMBLY		861-0500	888-9418	SIZE 20 BRASS PINION		888-9521	SIZE 40 DRAG KNOB
	888-9358	SIZE 40 MAIN SHAFT ASSEMBLY	23	888-9408	888-9419	SIZE 40 BRASS PINION	48	889-3300	SIZE 20 DRAG NUT
7	888-9359	SIZE 20 BAIL WIRE ASSEMBLY		888-9409	859-0300	SIZE 20 DRIVE GEAR		865-1900	SIZE 40 DRAG NUT
	888-9401	SIZE 40 BAIL WIRE ASSEMBLY	24	889-4300	861-1300	SIZE 40 DRIVE GEAR	49	889-3200	SIZE 20 DRAG SPRING
8	850-5900	SCREW- ROTOR NUT RETAINER	25	851-1700	850-5600	SPACER- DRIVE GEAR		865-1800	SIZE 40, DRAG SPRING
9	850-3900	RETAINER- ROTOR NUT		859-0800	887-3000	SIZE 20 OSCILLATION GEAR INSERT	50	889-2700	SIZE 20 DRAG CLIP
10	842-9900	NUT- ROTOR	26	861-0900	887-3900	SIZE 40 OSCILLATION GEAR INSERT		865-1700	SIZE 40 DRAG CLIP
11	863-2000	BAIL SCREW		897-6200	887-2900	SIZE 20 OSCILLATION MAIN GEAR	51	888-9423	SIZE 20 ANTI-REVERSE SW
12	867-8800	INSERT- LINE ROLLER	26A	897-6500	887-4000	SIZE 40 OSCILLATION MAIN GEAR		888-9424	SIZE 40 ANTI-REVERSE SW
13	866-7700	WASHER- LINE ROLLER TEFLON®	27	887-3200	887-3300	SIZE 20 OSCILLATION PLANETARY GEAR	52	888-9425	HANDLE NUT
14	866-6700	LINE ROLLER- CERAMIC		887-4300	887-4100	SIZE 40 OSCILLATION PLANETARY GEAR	53	888-9427	SIZE 20 BODY
15	888-9402	BALL BEARING, LINE ROLLER	28	861-1600	889-2500	SIZE 20 OSCILLATION SLIDER		888-9428	SIZE 40 BODY
16	850-3800	SCREW- BAIL ARM	29	888-9411	892-8800	SIZE 40 OSCILLATION SLIDER			
17	888-9403	SIZE 20 BAIL ARM	29A	853-9900	889-2600	SIZE 20 MAIN SHAFT KEEPER			