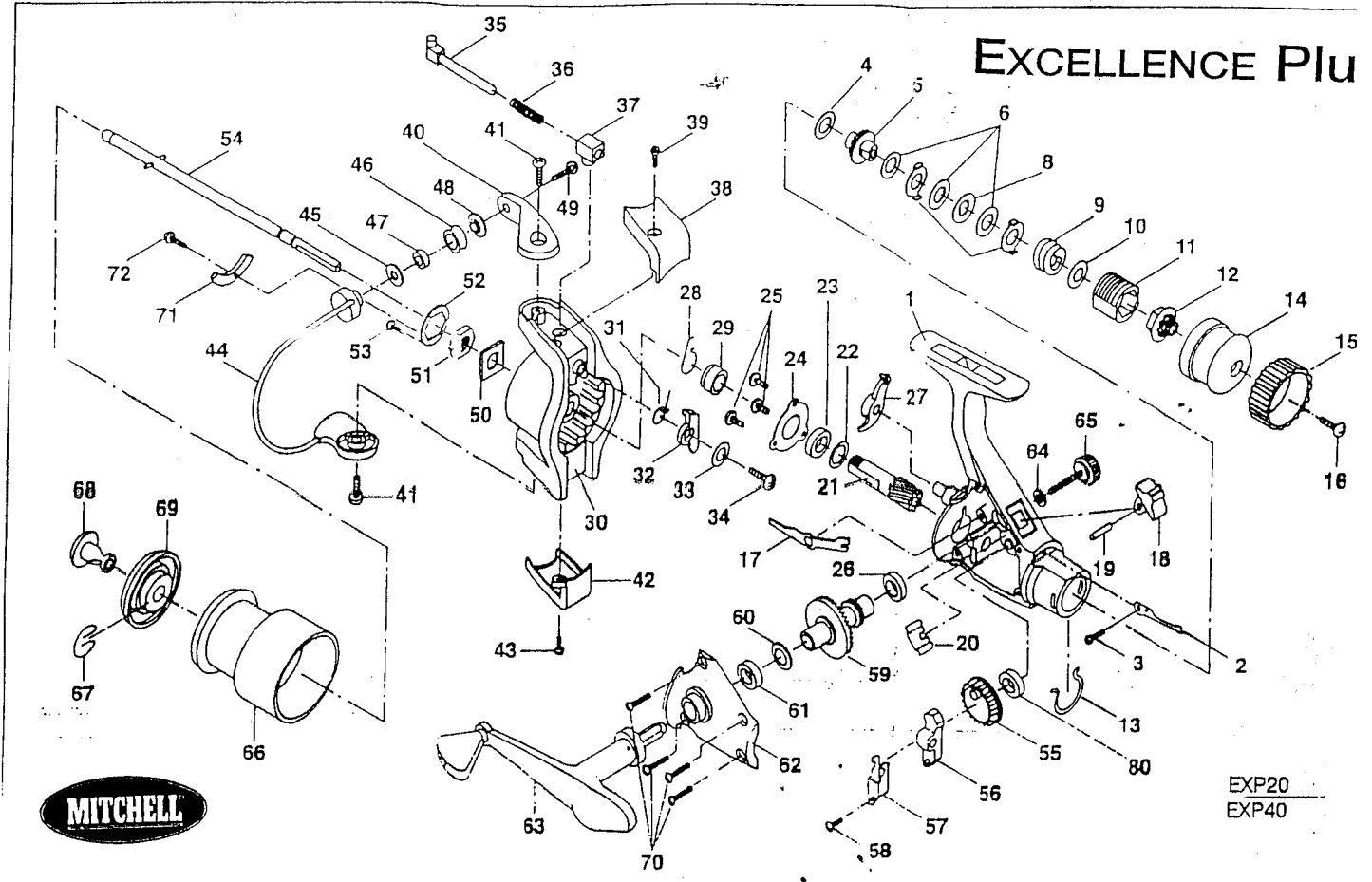


# EXCELLENCE Plus



EXP20  
EXP40

No.	PART NAME	20 SIZE	40 SIZE	20	40	20	40	20	40	20	40	
1	BODY	1066300	1066301	20 PUSH BUTTON SPRING	1066320	1066320	40 BAIL ARM	1066345	1066346	60 DRIVE GEAR WASHER	1066376	1066376
2	DRAG CLICK SPRING	1066302	1066302	21 PINION	1066321	1066321	41 BAIL ARM SCREW	1066347	1066347	61 DRIVE GEAR BEARING	1066377	1066377
3	CLICK SPRING SCREW	1066303	1066303	22 PINION WASHER	1066322	1066322	42 BAIL HOLDER ROTOR COVER	1066348	1066349	62 COVER PLATE	1066378	1066379
4	FRONT DRAG WASHER	1066304	1066304	23 BALL BEARING	1066324	1066324	43 COVER SCREW	1066350	1066350	63 CRANK HANDLE ASS'Y	1066380	1066381
5	DRAG STEH	1066305	1066305	24 BALL BEARING RETAINER	1066325	1066325	44 BAIL WIRE ASS'Y	1066351	1066352	64 CRANK HANDLE WASHER	1066382	1066382
6	DRAG WASHER	1066306	1066306	25 RETAINER SCREW	1066327	1066327	45 LINE ROLLER SLEEVE	1066353	1066353	65 CRANK HANDLE SCREW	1066383	1066383
7	EARED DRAG WASHER	1066307	1066307	26 DRIVE GEAR BEARING	1066328	1066328	46 LINE ROLLER	1066354	1066354	66 SPOOL	1066384	1066385
8	KEYED DRAG WASHER	1066308	1066308	27 A/R PAWL	1066330	1066330	47 LINE ROLLER BUSHING	1066355	1066355	67 SPOOL LOCKING SPRING	1066386	1066386
9	DRAG SPRING	1066309	1066309	28 A/R SPRING	1066331	1066331	48 LINE ROLLER WASHER	1066356	1066356	68 SPOOL RELEASE BUTTON	1066387	1066387
10	DRAG SPRING WASHER	1066310	1066310	29 SPRING HOLDER	1066332	1066332	49 LINE ROLLER SCREW	1066357	1066357	69 SPOOL CAP	1066388	1066389
11	DRAG SLEEVE	1066311	1066311	30 ROTOR	1066333	1066334	50 ROTOR WASHER	1066358	1066358	70 COVER PLATE SCREW	1066390	1066390
12	DRAG INSERT	1066312	1066312	31 TRIP LEVER SPRING	1066335	1066335	51 ROTOR NUT	1066359	1066359	71 COUNTER WEIGHT	1066391	1066392
13	DRAG INSERT RETAINER	1066313	1066313	32 TRIP LEVER	1066336	1066336	52 LOCK WASHER	1066360	1066360	72 COUNTER WEIGHT SCREW	1066393	1066393
14	DRAG KNOB	1066314	1066314	33 TRIP LEVER WASHER	1066337	1066337	53 LOCK SCREW	1066368	1066368			
15	DRAG KNOB COVER	1066315	1066315	34 TRIP LEVER-SCREW	1066338	1066338	54 MAIN SHAFT	1066369	1066370			
16	DRAG SCREW	1066316	1066316	35 TRIP PLUNGER	1066339	1066339	55 OSCILLATION GEAR	1066371	1066371			
17	A/R LEVER	1066317	1066317	36 BAIL SPRING	1066340	1066340	56 OSCILLATION BRACKET	1066372	1066372			
18	A/R PUSH BUTTON	1066318	1066318	37 TRIP PLUNGER HOLDER	1066341	1066341	57 OSCILLATION HOLDER	1066373	1066373			
19	PUSH BUTTON PIN	1066319	1066319	38 BAIL ARM ROTOR COVER	1066342	1066342	58 HOLDER SCREW	1066374	1066374			
				39 COVER SCREW	1066344	1066344	59 DRIVE GEAR	1066375	1066375			

The part numbers shown on this drawing and parts are available to order. To order a part, contact the Pure Fishing reel service department at 1-877-508-344. Should you require a part that does not have an item/part number assigned to it, please send your request to the address listed below for service.

Pure Fishing Reel Service Department  
1900 18th Street, Spirit Lake, Iowa 51360