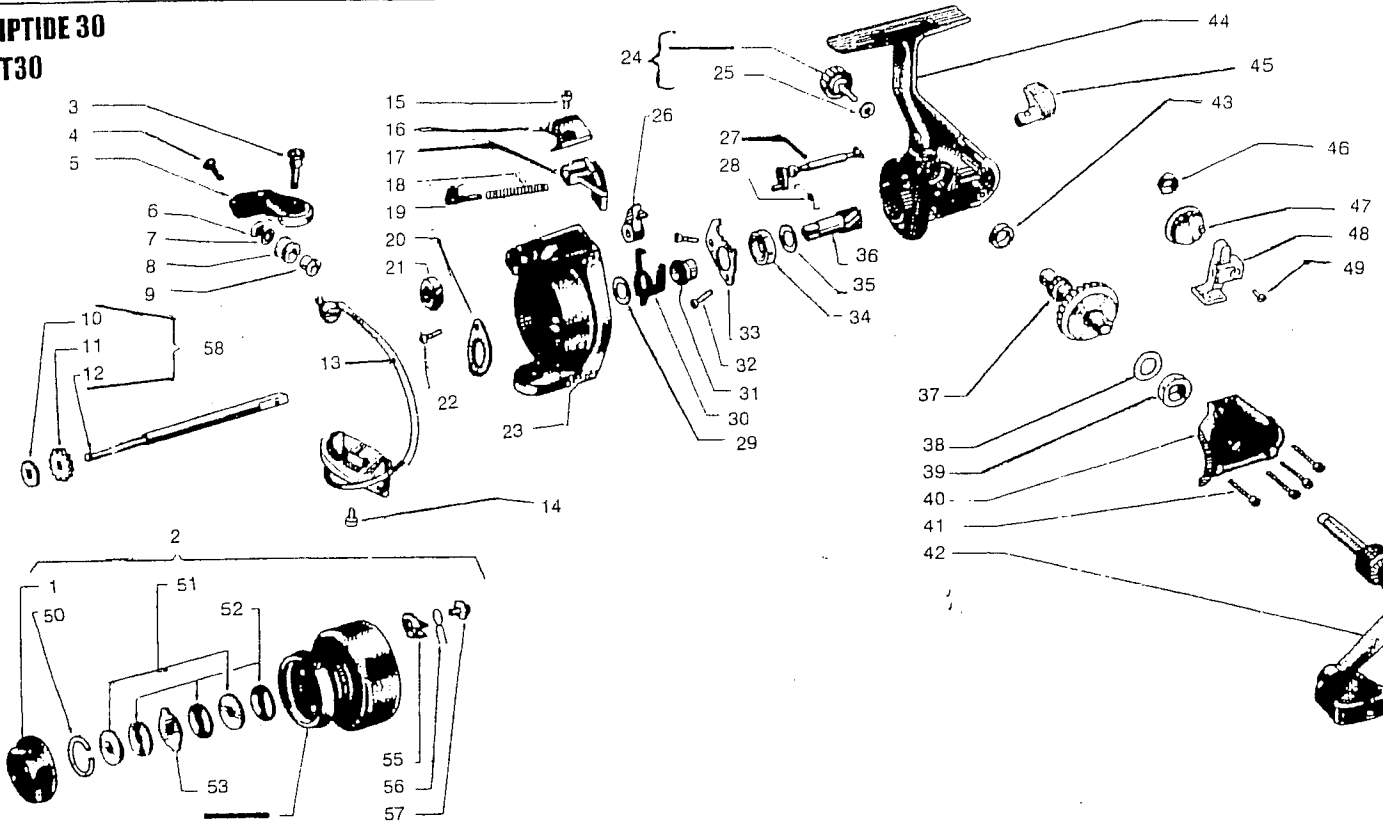


**RIPTIDE 30
RT30**



ITEM	MIP PART#	DESCRIPTION	ITEM	MIP PART#	DESCRIPTION	ITEM	MIP PART#	DESCRIPTION
1	RT30-1	DRAG KNOB	21	RT30-21	HEX NUT	41	RT30-41	COVER PLATE SCREW
2	RT30-2	COMPLETE SPOOL	22	RT30-22	SCREW	42	RT30-42	HANDLE
3	RT30-3	SCREW, BAIL ARM	23	RT30-23	ROTOR	43	RT30-43	BUSHING
4	RT30-4	BAIL SCREW	24	RT30-24	HANDLE CAP SCREW	44	RT30-44	HOUSING
5	RT30-5	BAIL ARM	25	RT30-25	HANDLE CAP SCREW WASHER	45	RT30-45	A/R SWITCH
6	RT30-6	LINE GUIDE RACE	26	RT30-26	A/R CAM	46	RT30-46	BUSHING
7	RT30-7	WASHER, LINE ROLLER	27	RT30-27	A/R SHAFT	47	RT30-47	OSC GEAR
8	RT30-8	LINE GUIDE	28	RT30-28	A/R SPRING	48	RT30-48	O/S SLIDER
9	RT30-9	LINE GUIDE BUSHING	29	RT30-29	A/R FRICTION WASHER	49	RT30-49	OSCILLATION SLIDE SC
10	RT30-10	WASHER	30	RT30-30	A/R FRICTION	50	RT30-50	DRAG RETAINER
11	RT30-11	SHAFT RATCHET	31	RT30-31	A/R FRICTION BUSHING	51	RT30-51	METAL WASHER
12	RT30-12	AXLE	32	RT30-32	SCREW	52	RT30-52	DRAG WASHER
13	RT30-13	BAIL	33	RT30-33	BEARING RETAINER	53	RT30-53	WASHER, EARED DRAG
14	RT30-14	SCREW, RETAINING	34	RT30-34	BEARING	55	RT30-55	CLICKER
15	RT30-15	SCREW	35	RT30-35	WASHER	56	RT30-56	SPRING
16	RT30-16	SIDE COVER	36	RT30-36	PINION GEAR	57	RT30-57	SCREW
17	RT30-17	TRIP LEVER	37	RT30-37	MAIN GEAR	58	RT30-58	AXLE WWSHR & RATCH
18	RT30-18	BAIL SPRING	38	RT30-38	SHIM, DRIVE GEAR			
19	RT30-19	BAIL SPRING PIN	39	RT30-39	BUSHING			
20	RT30-20	RING, HEX NUT LOCKING	40	RT30-40	SIDE PLATE			